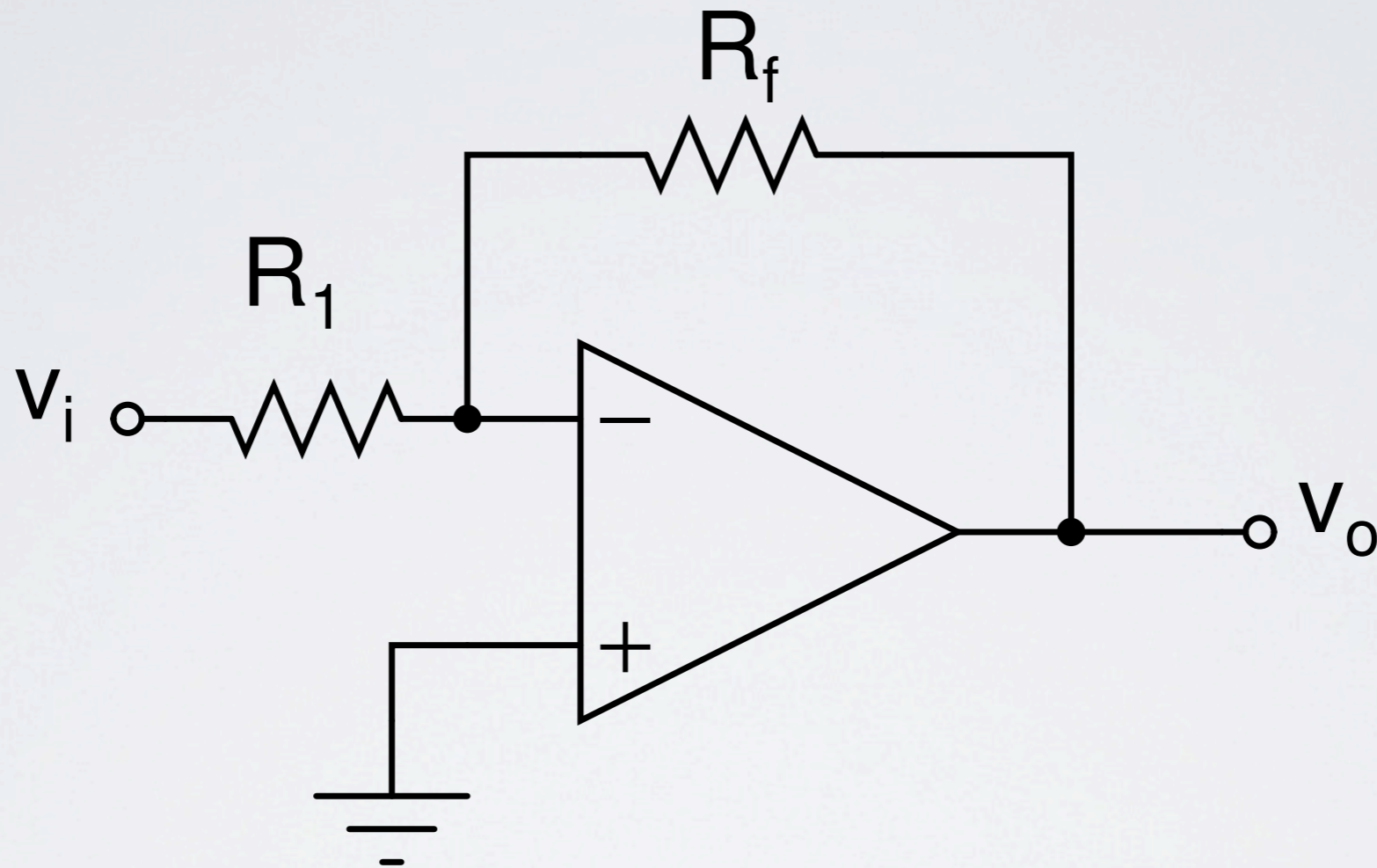


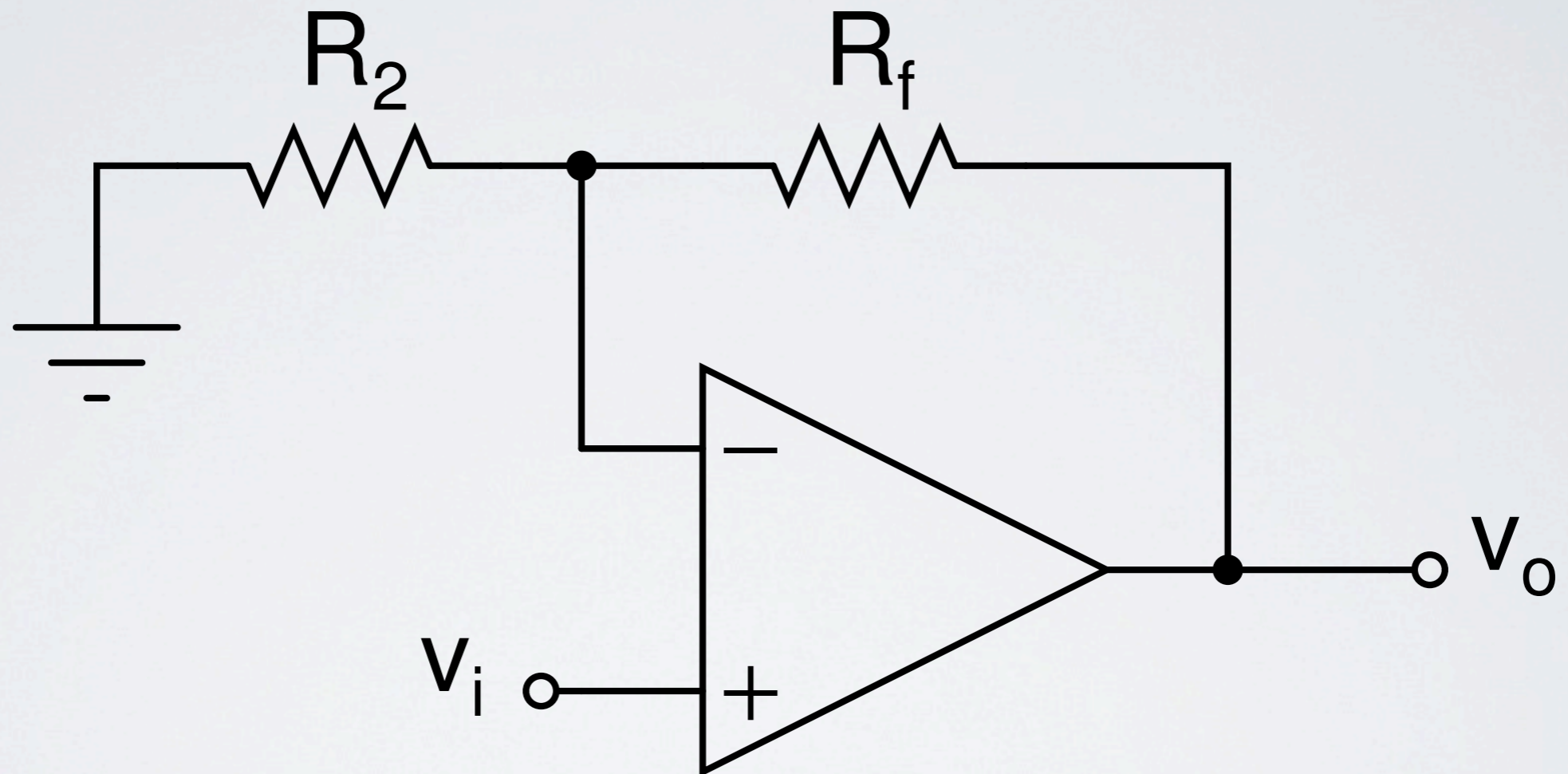
OP-AMP APPLICATIONS

INEL 5207 - Spring 2013

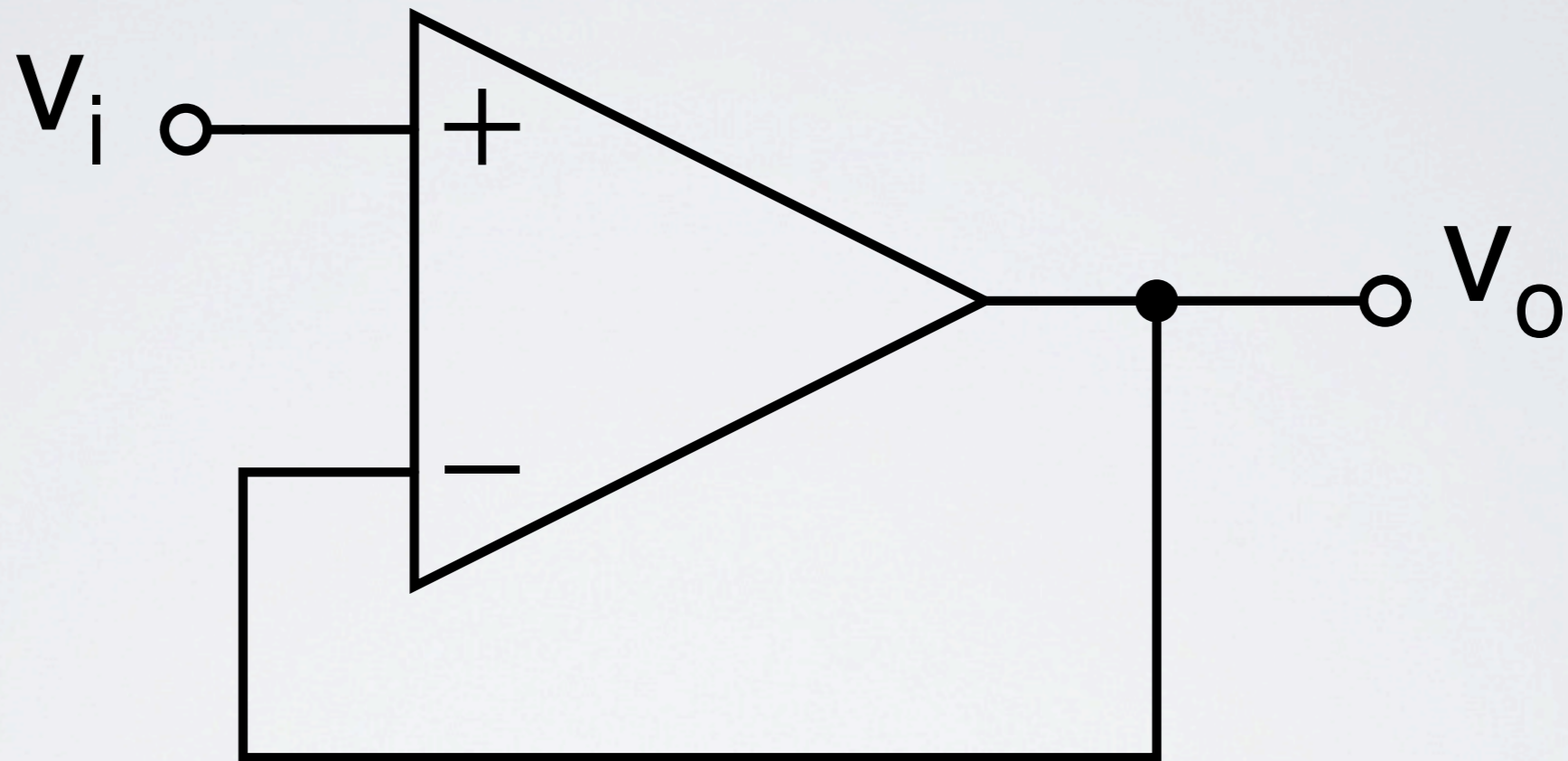
INVERTING AMPLIFIER



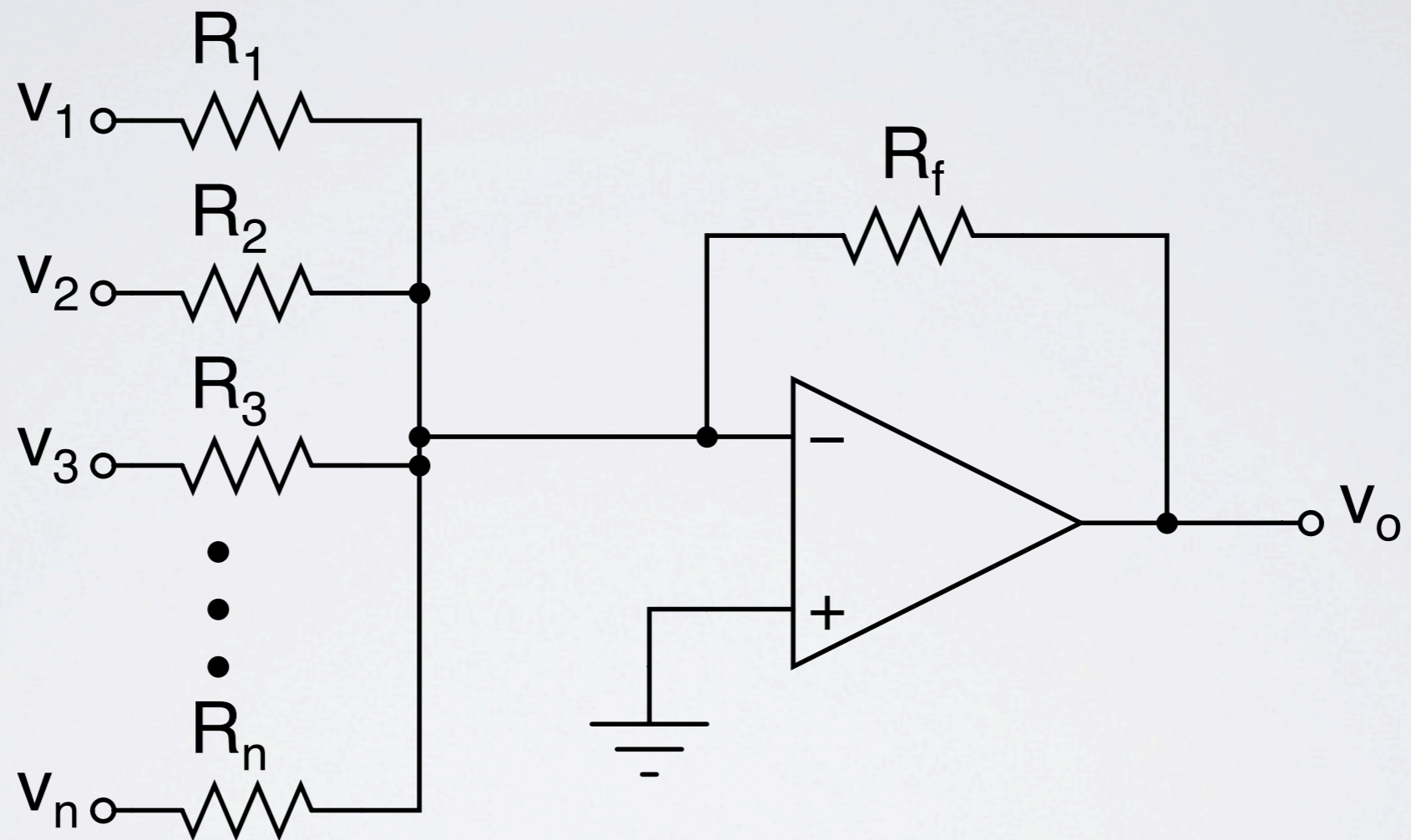
NON-INVERTING AMPLIFIER



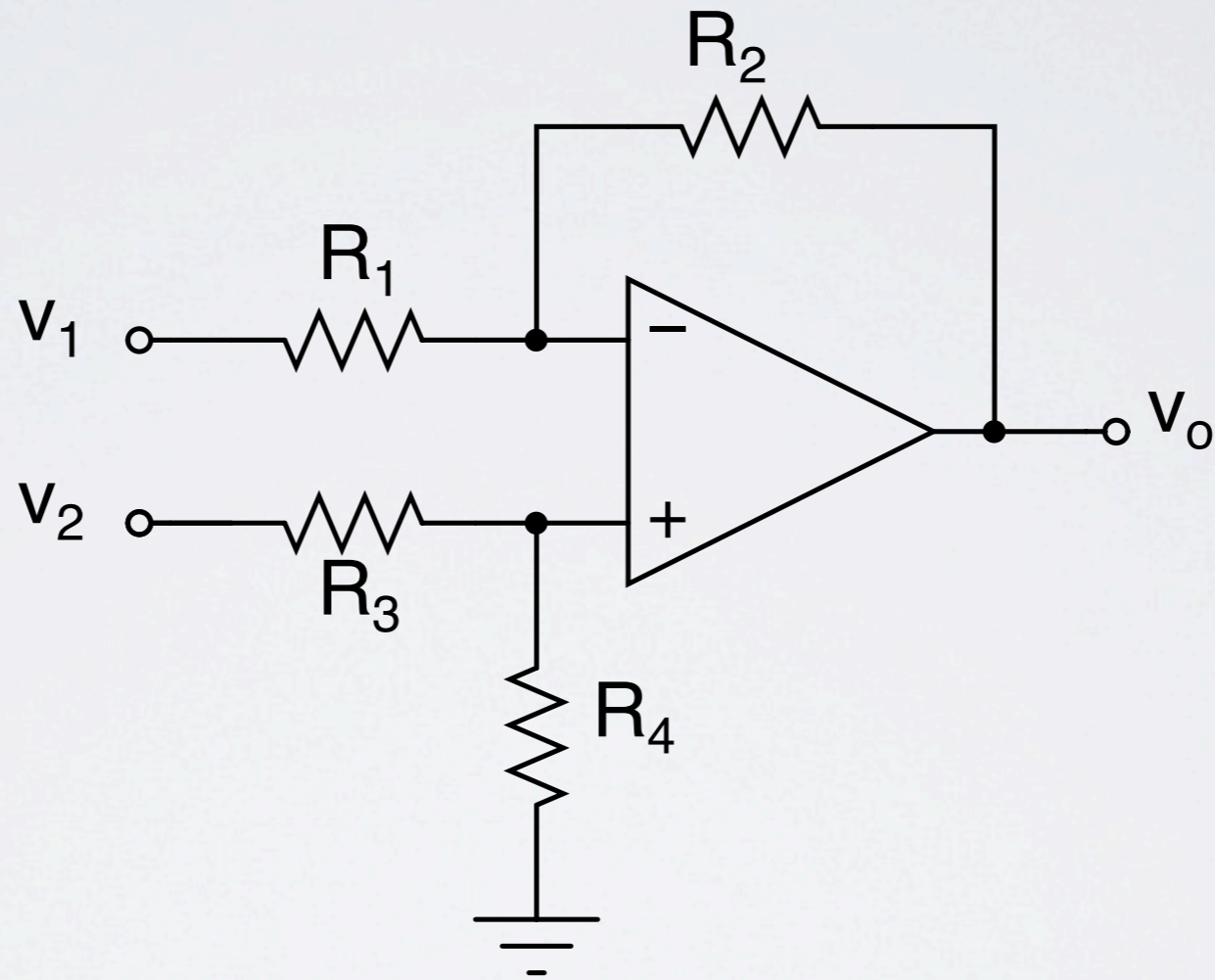
BUFFER AMPLIFIER



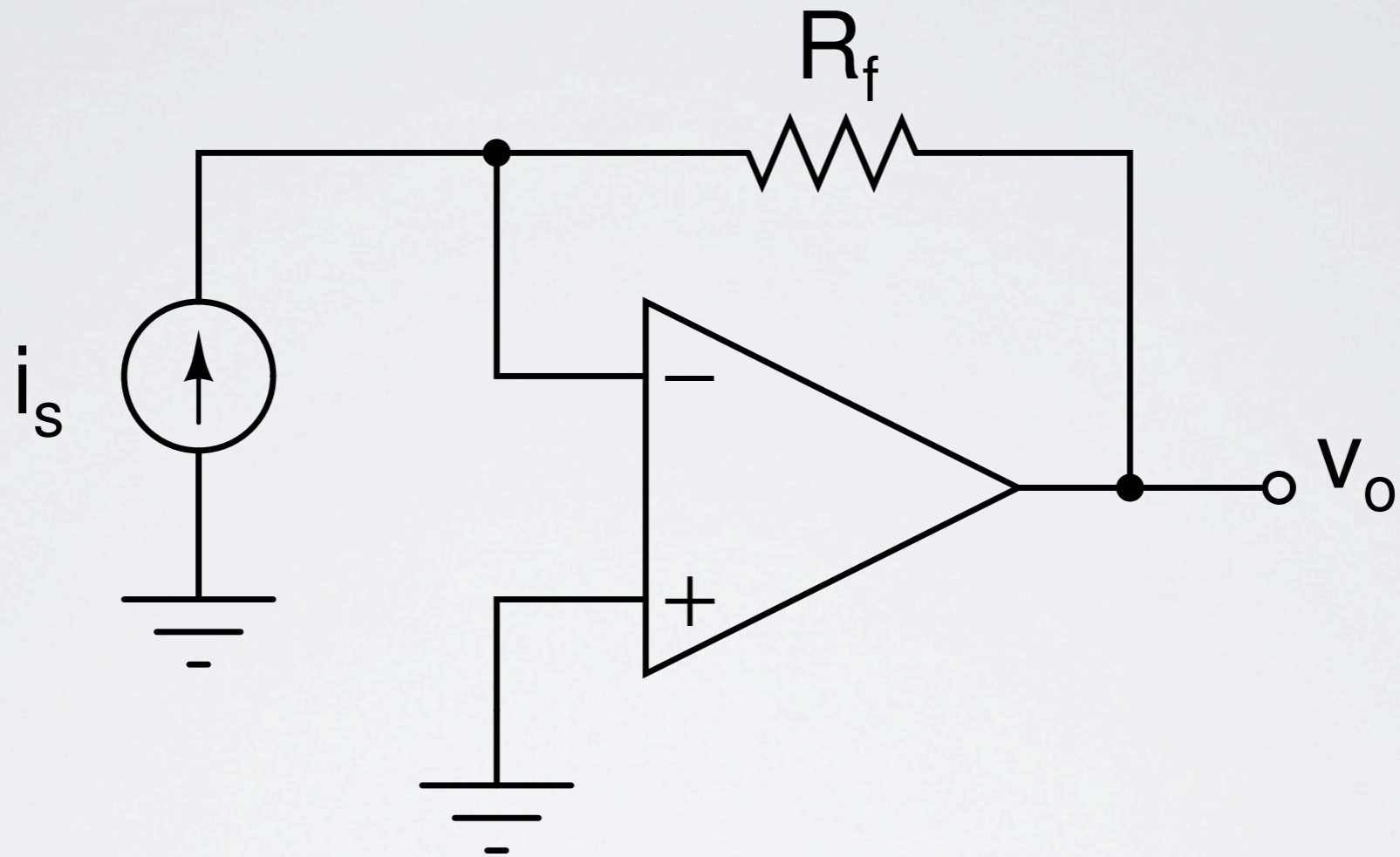
SUMMING AMPLIFIER



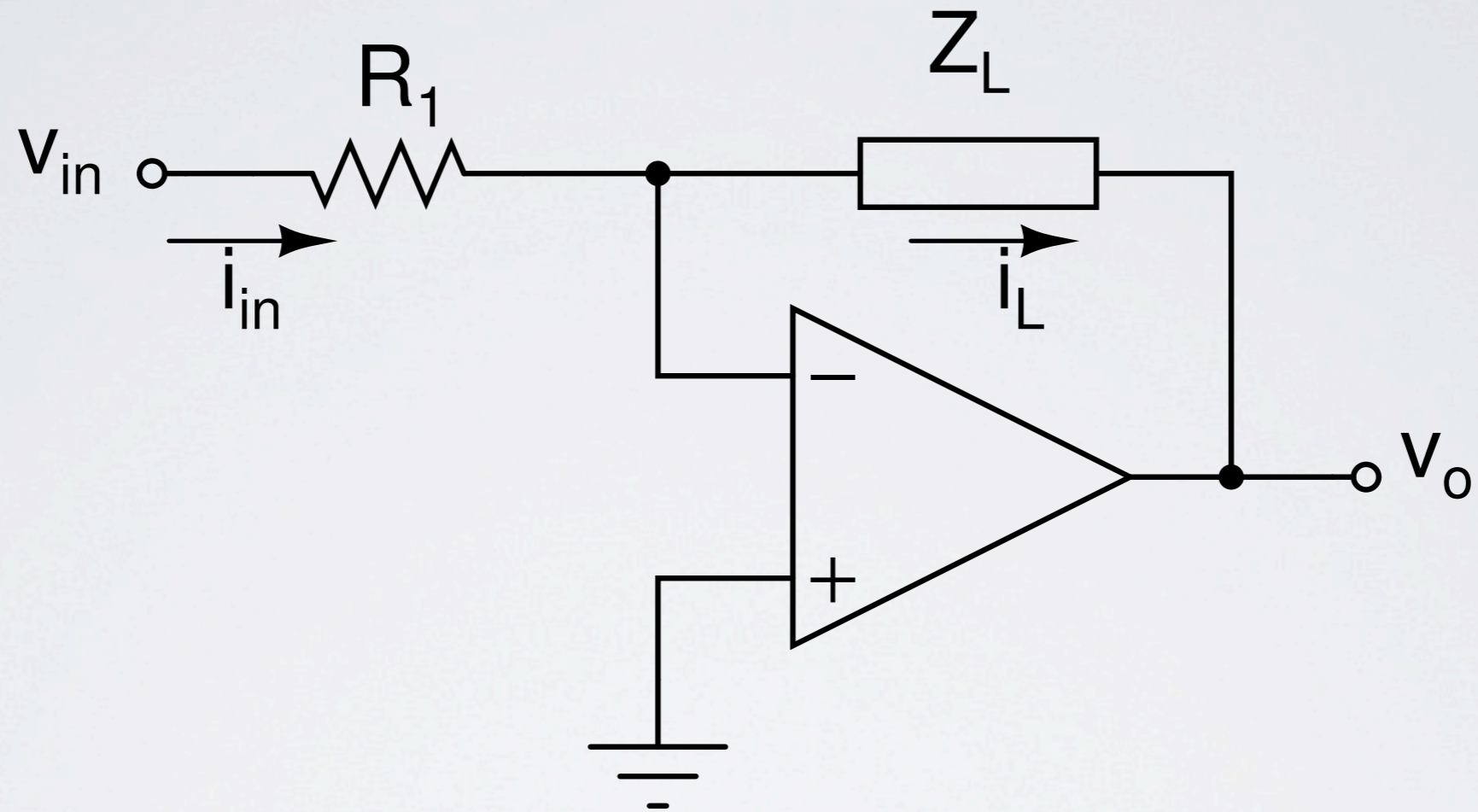
DIFFERENCE AMPLIFIER



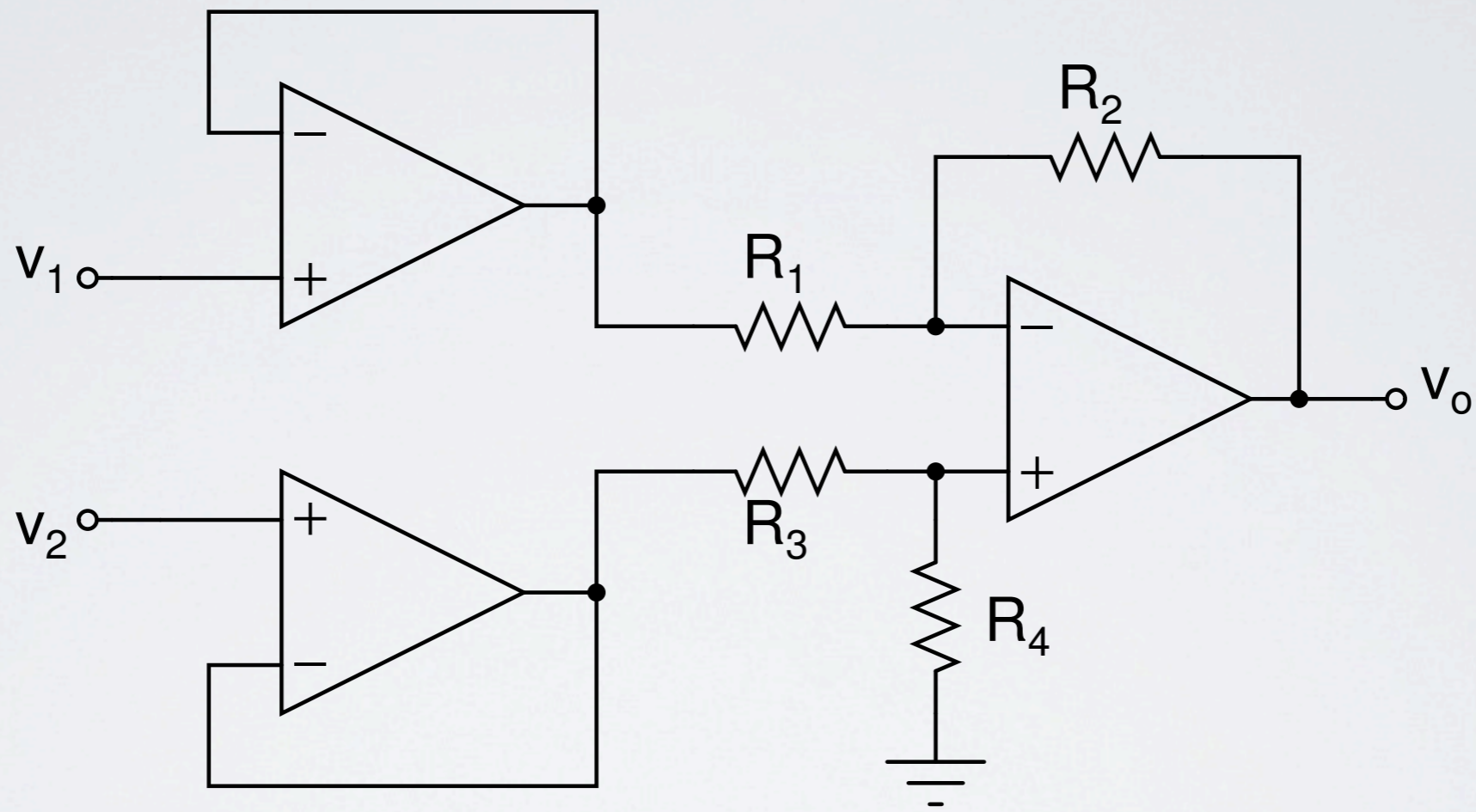
I-V CONVERTER



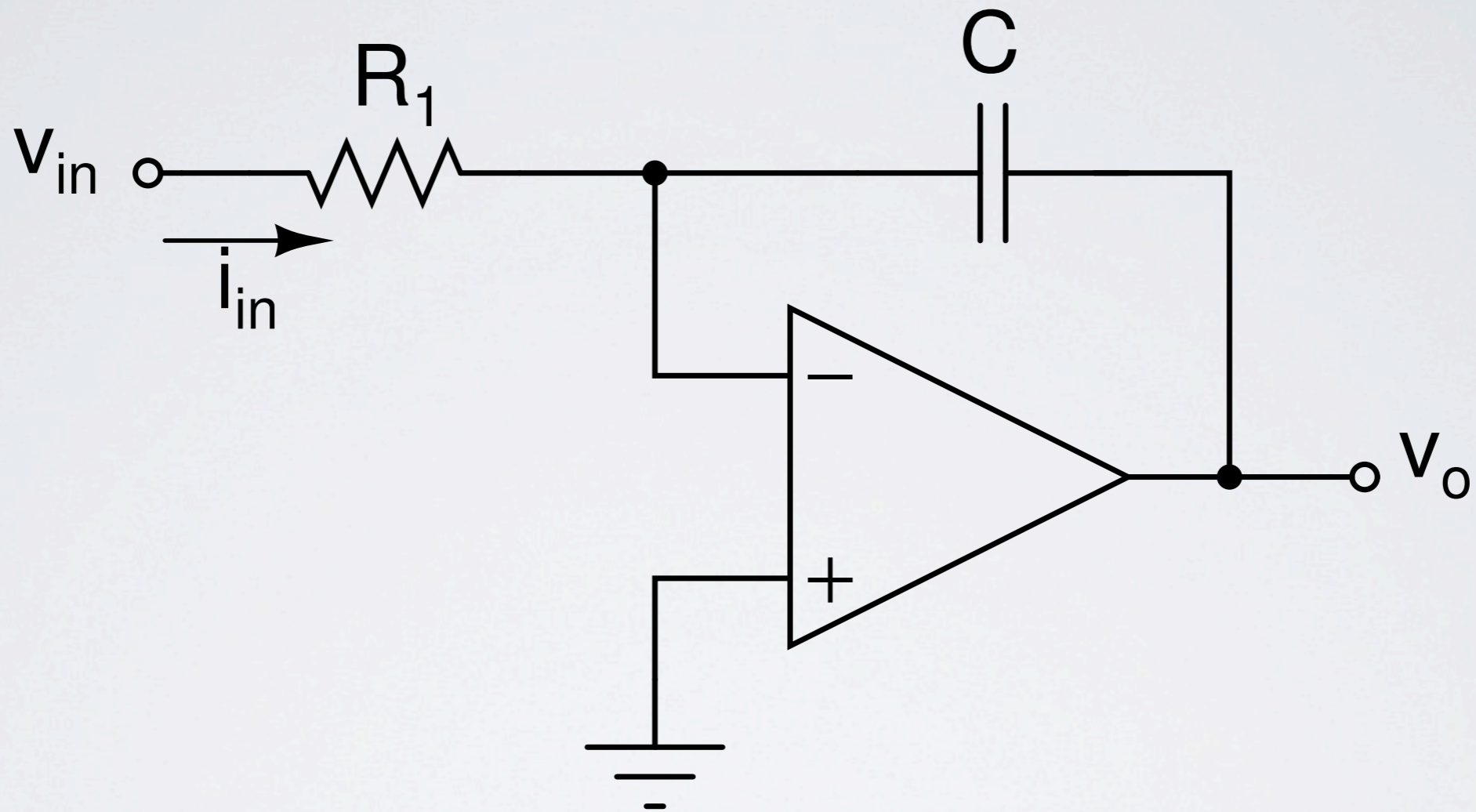
V-I CONVERTER



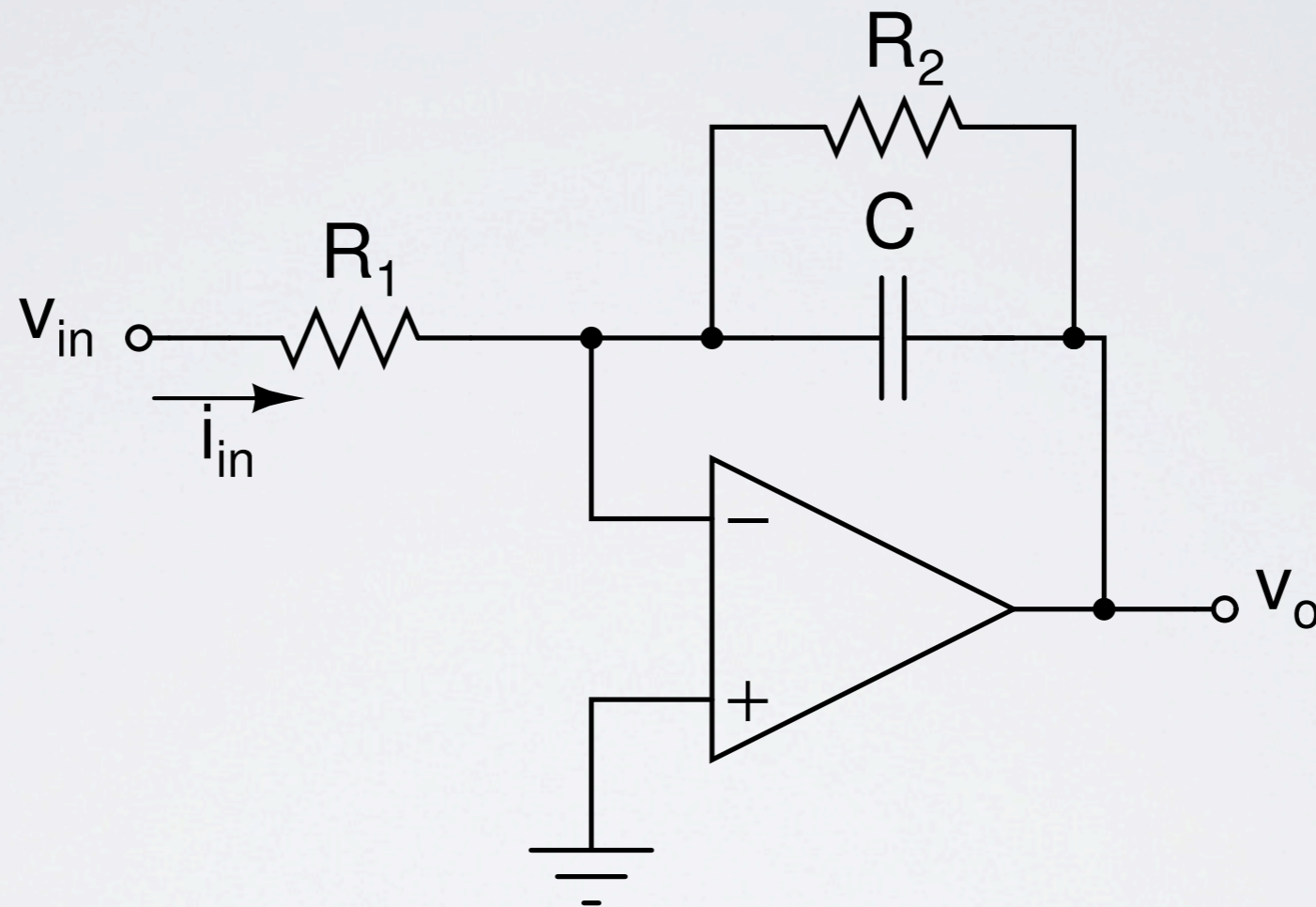
INSTRUMENTATION AMPLIFIER



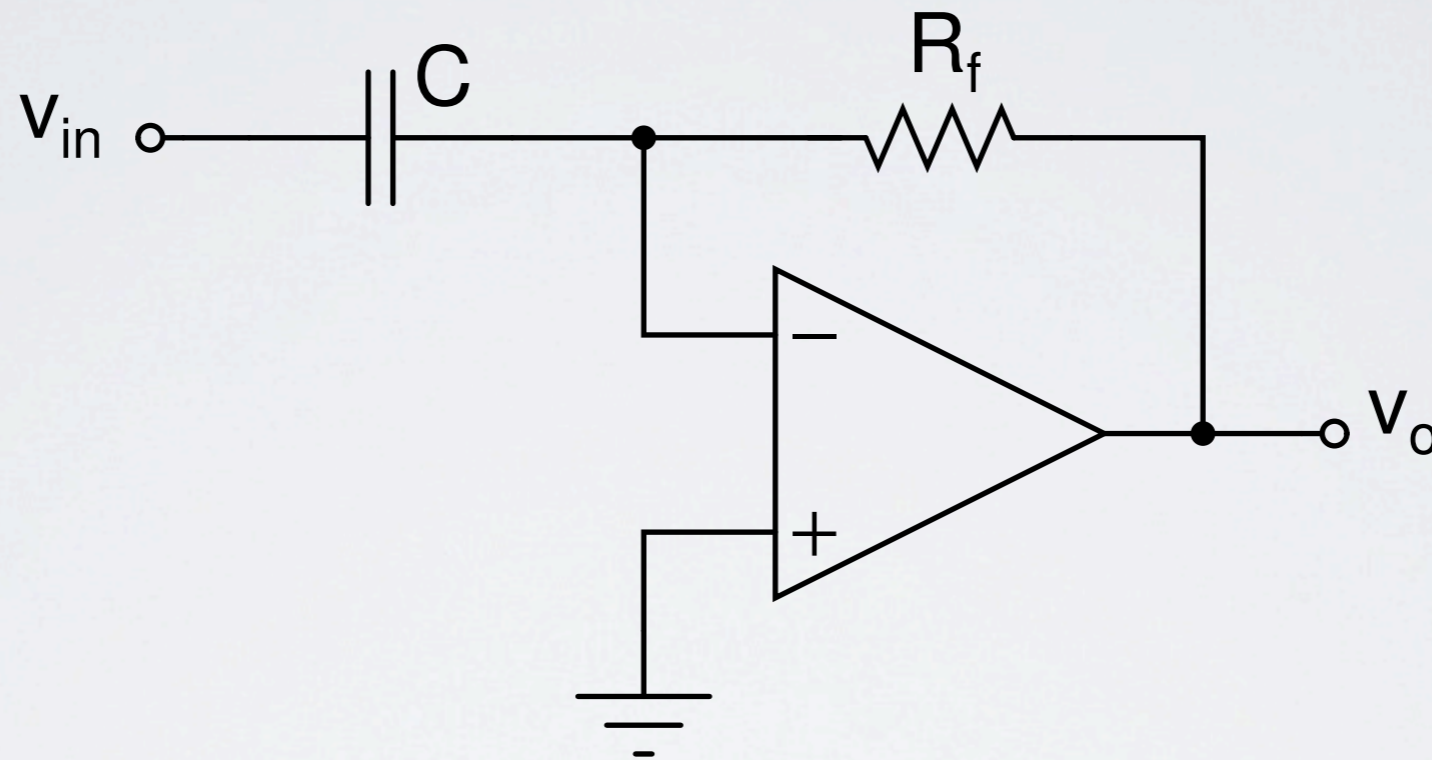
INTEGRATOR



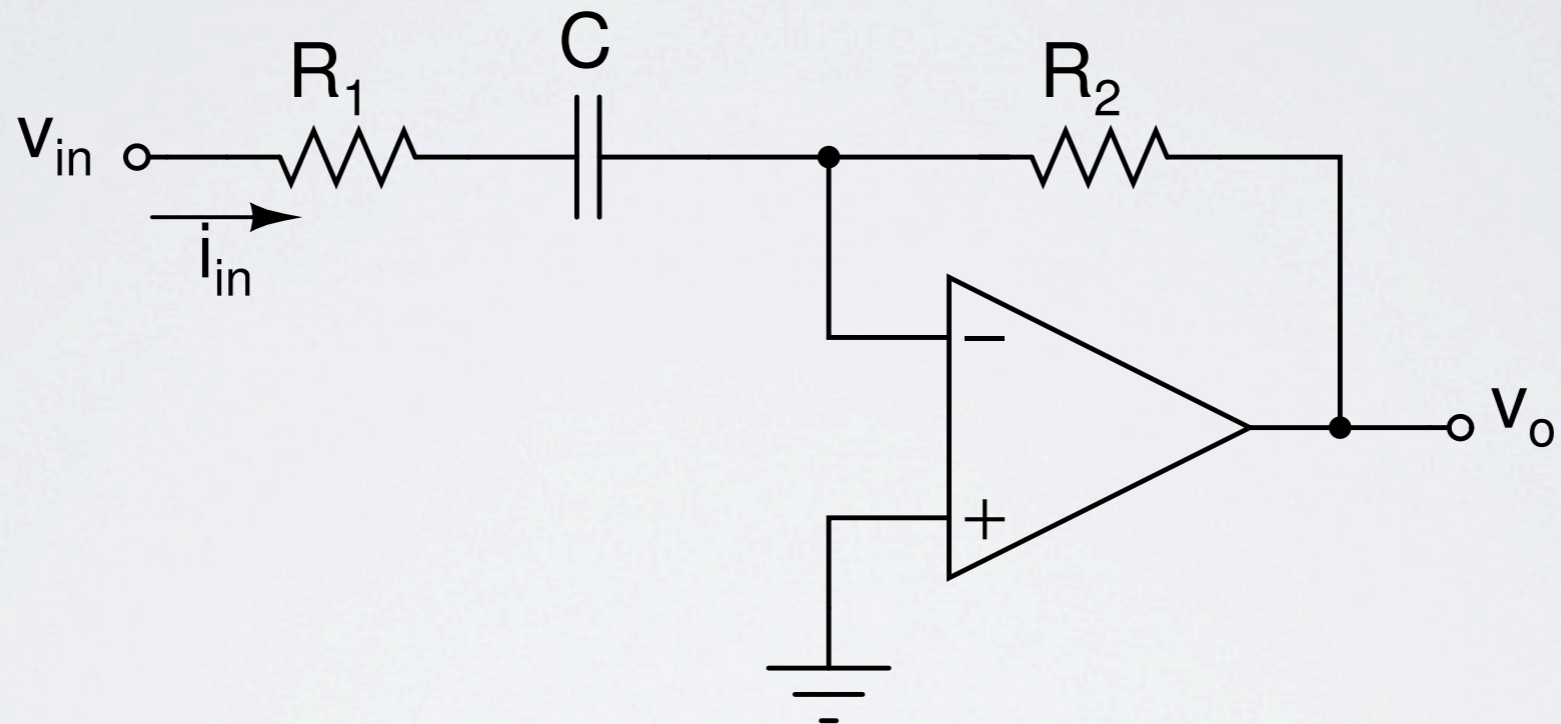
LOW-PASS FILTER



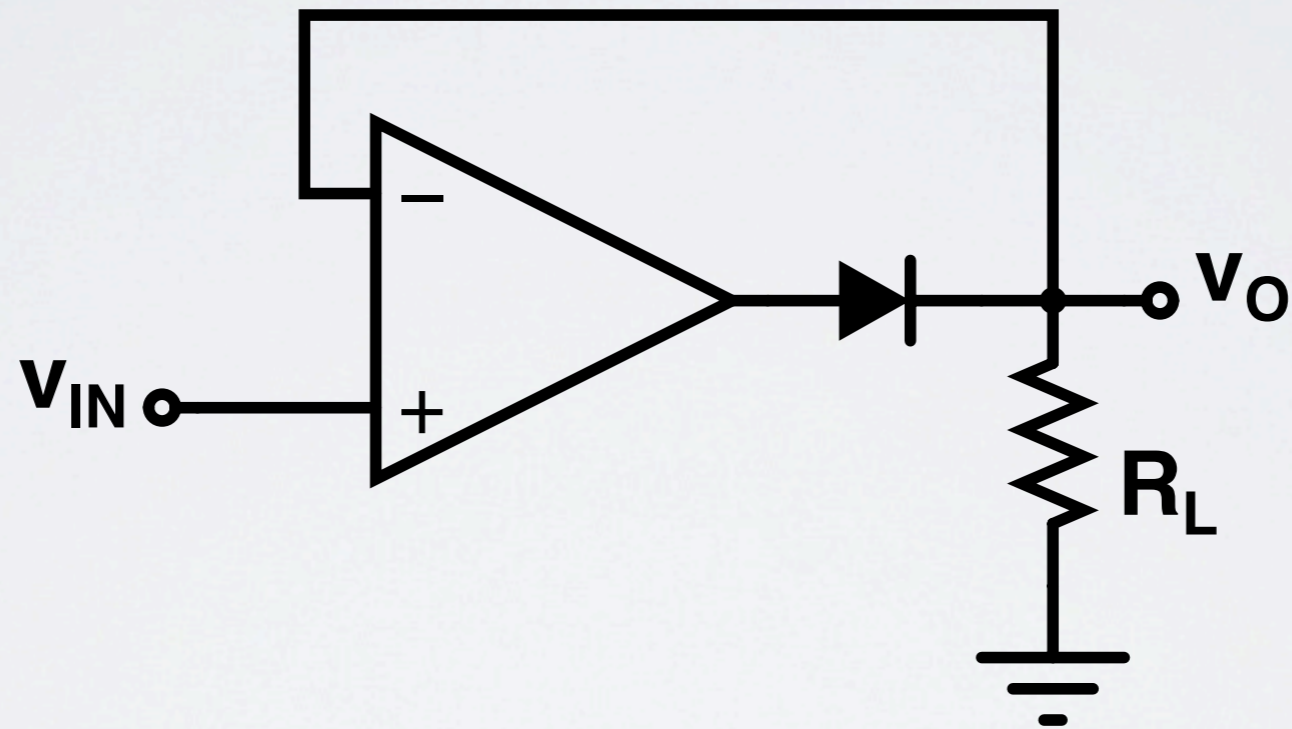
DIFFERENTIATOR



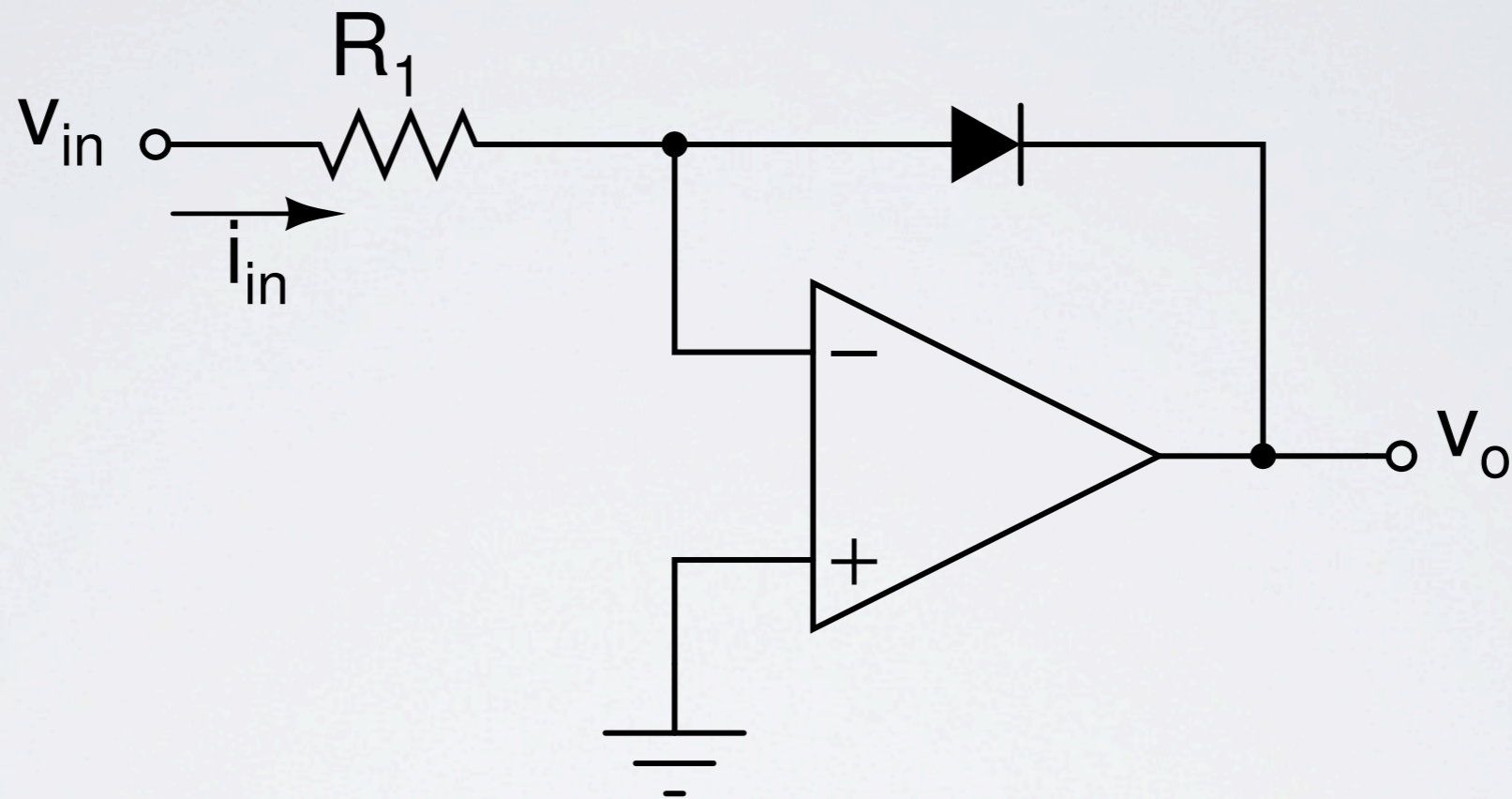
HIGH-PASS FILTER



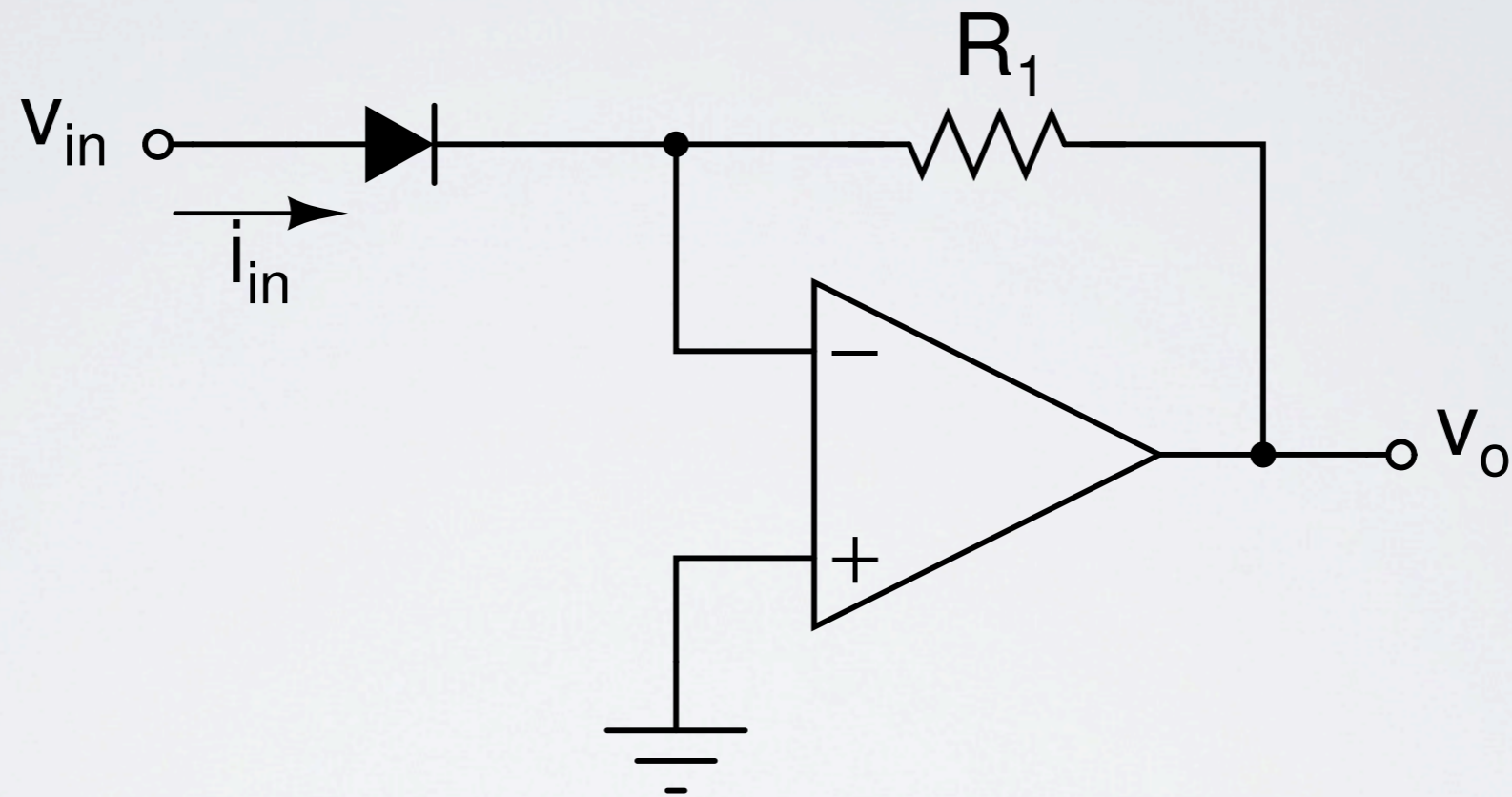
PRECISION RECTIFIER



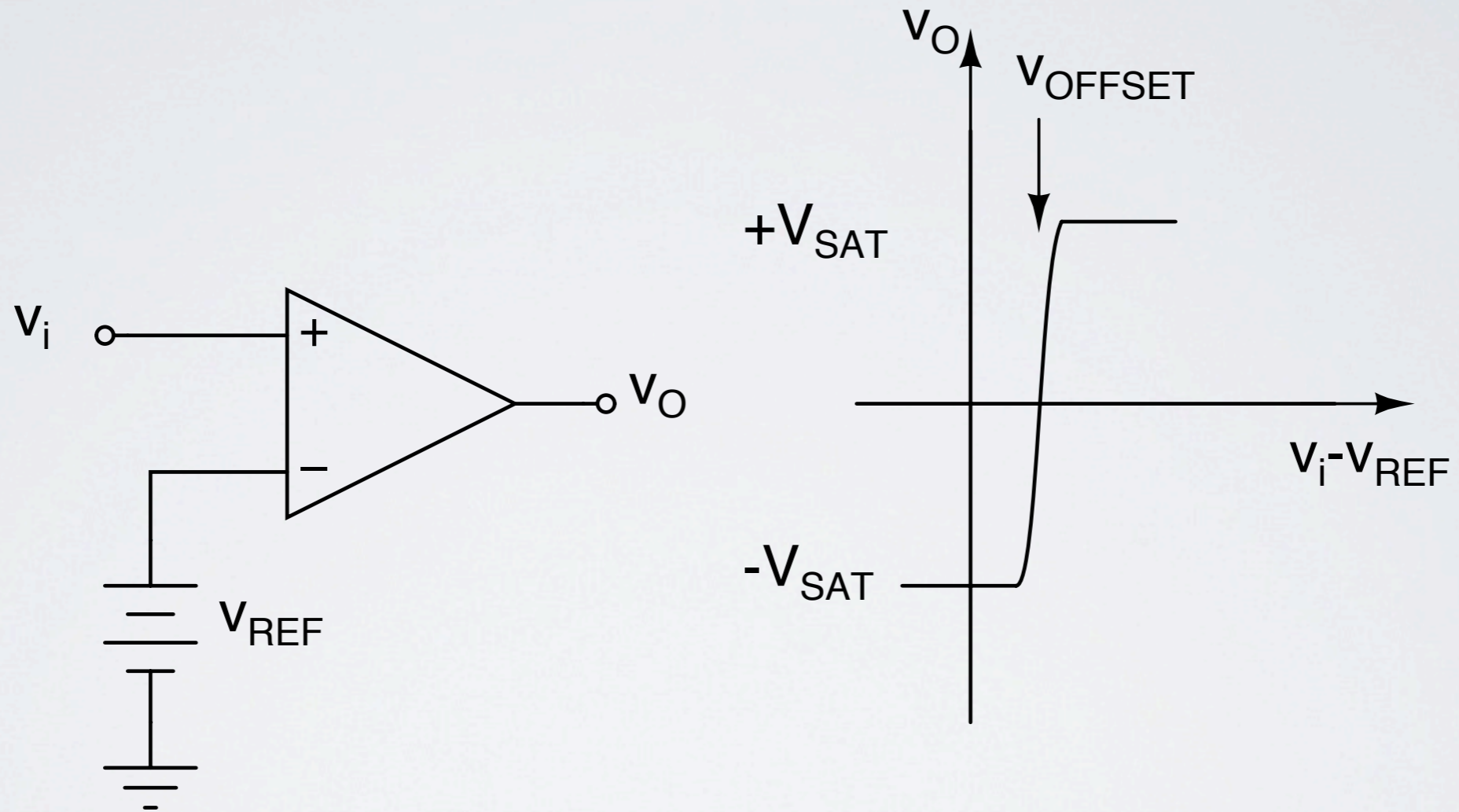
SIMPLE LOG CONVERTER



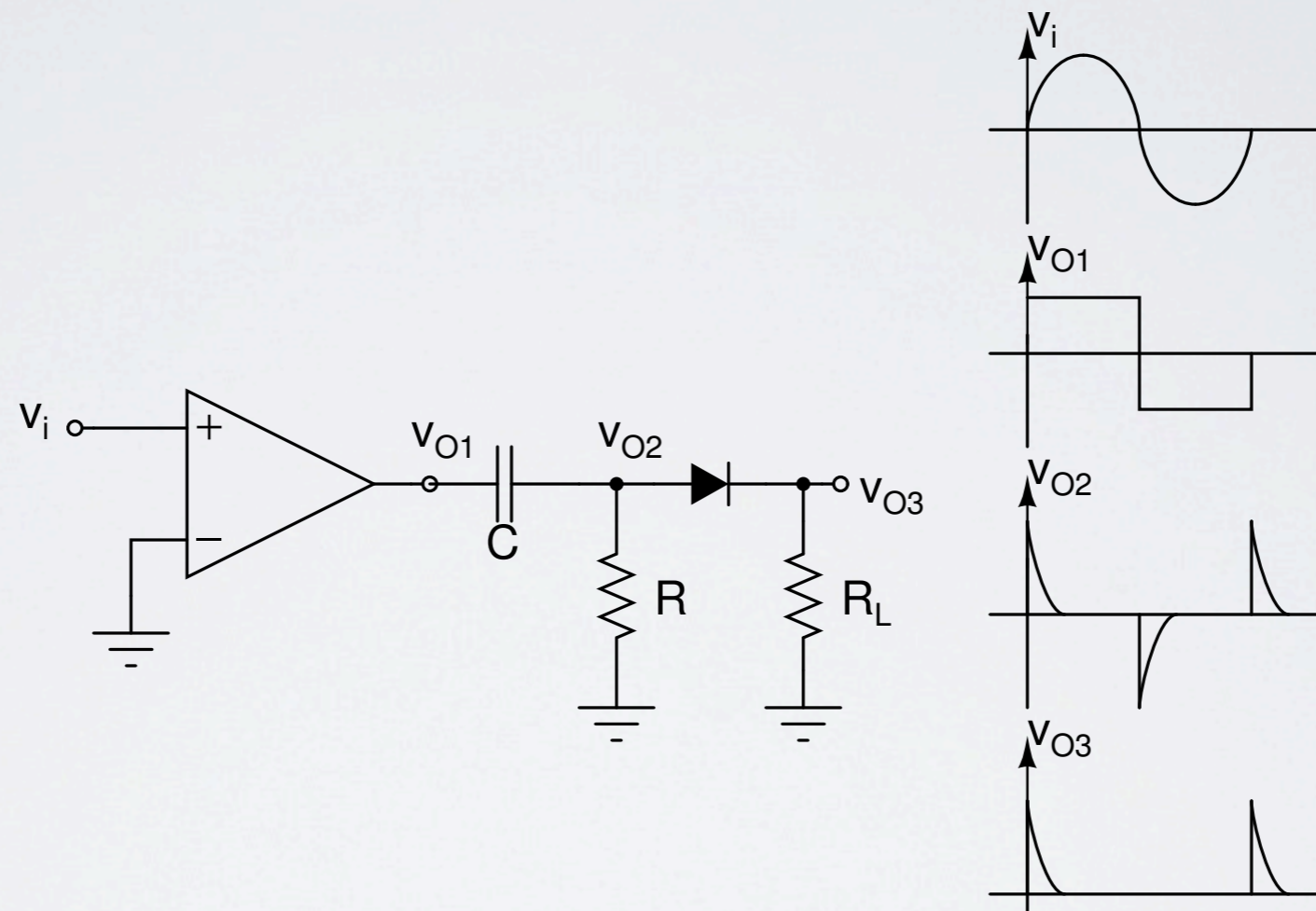
ANTILOG CONVERTER



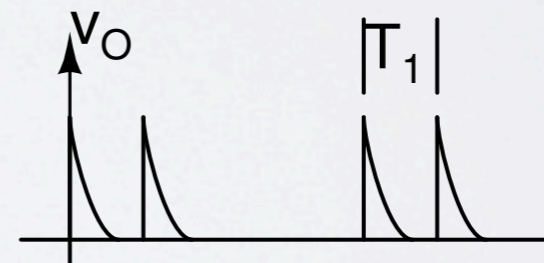
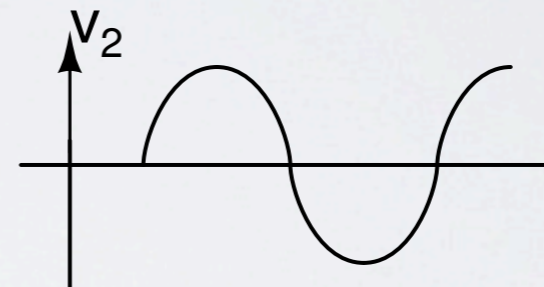
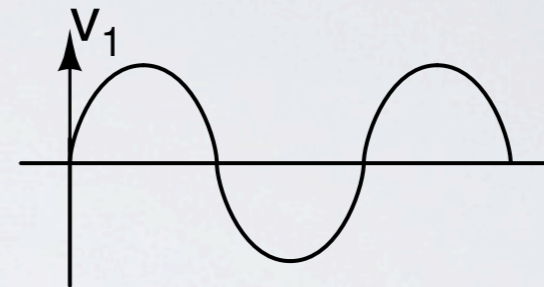
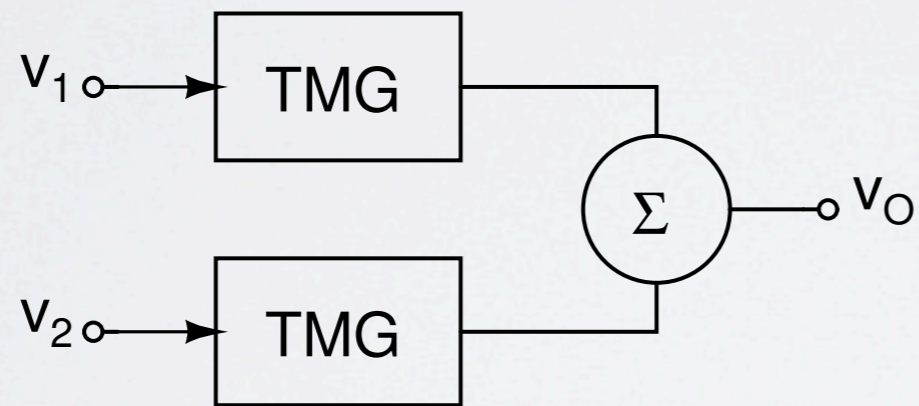
COMPARATOR



ZERO-CROSSING DETECTOR



PHASE METER



SQUARE-WAVE GENERATOR

