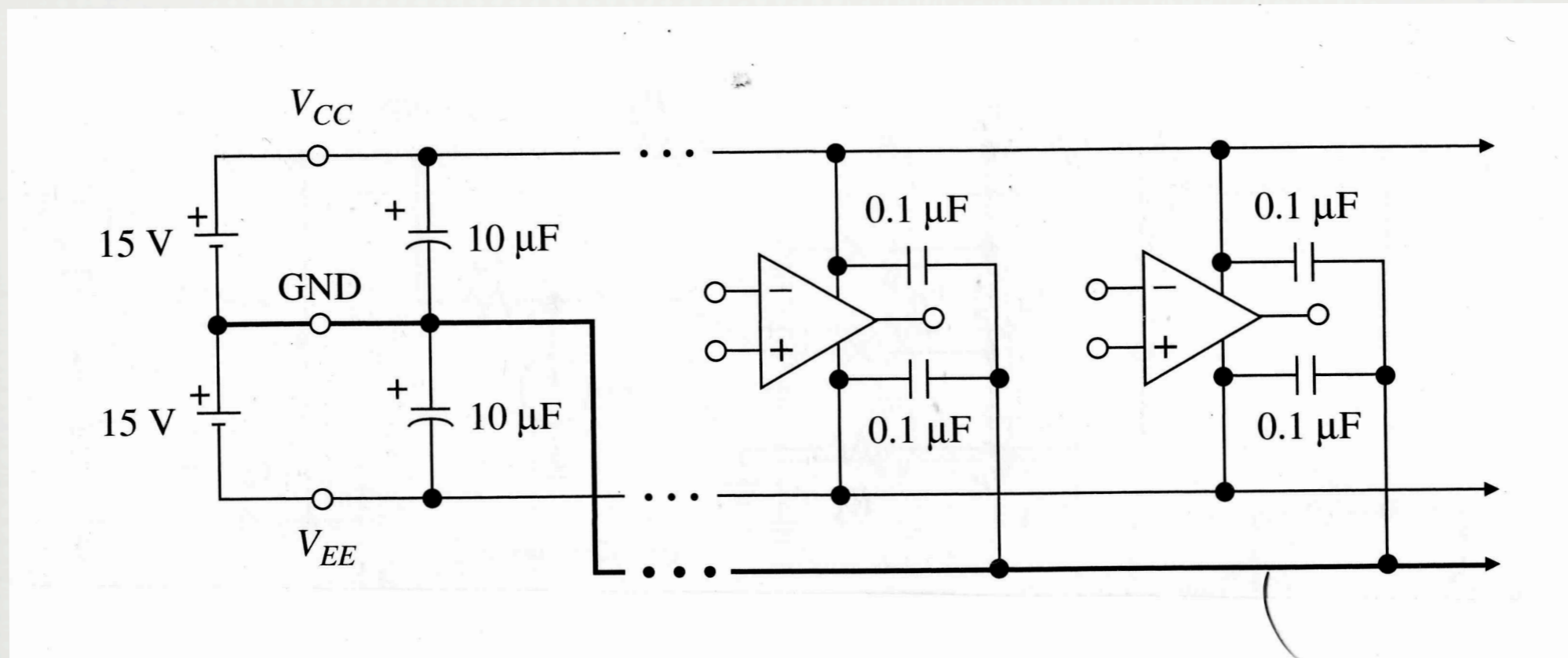


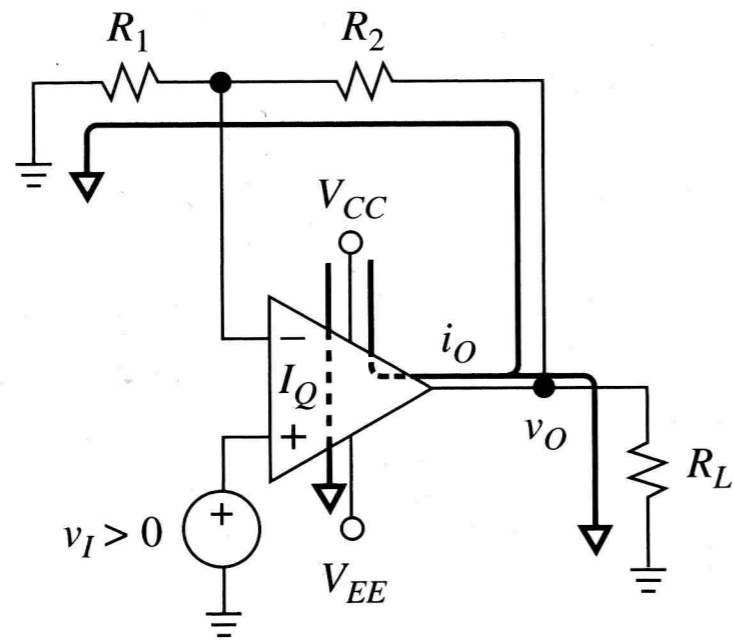
OPAMP POWER

INEL 5207 - SPRING 2008

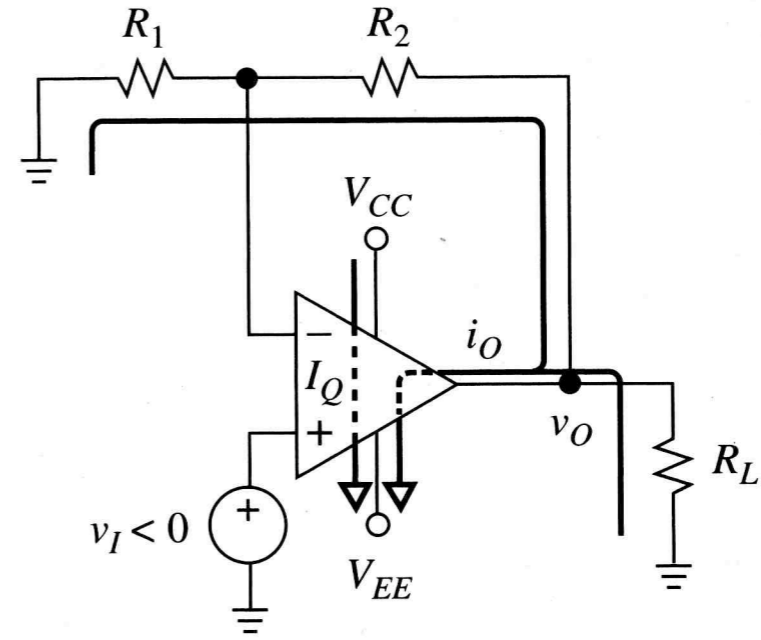
BYPASS CAPS



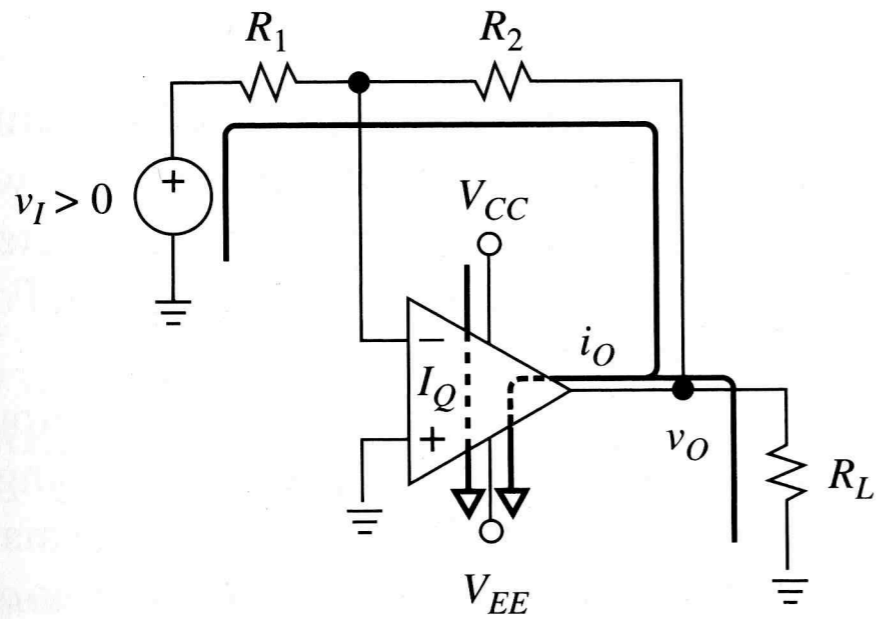
CURRENT FLOW



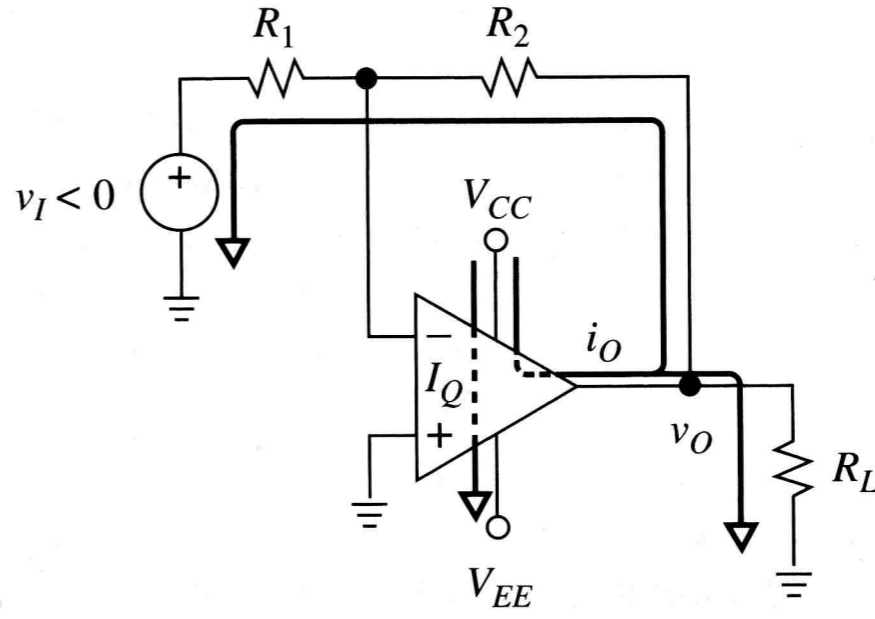
(a)



(b)



(c)



(d)

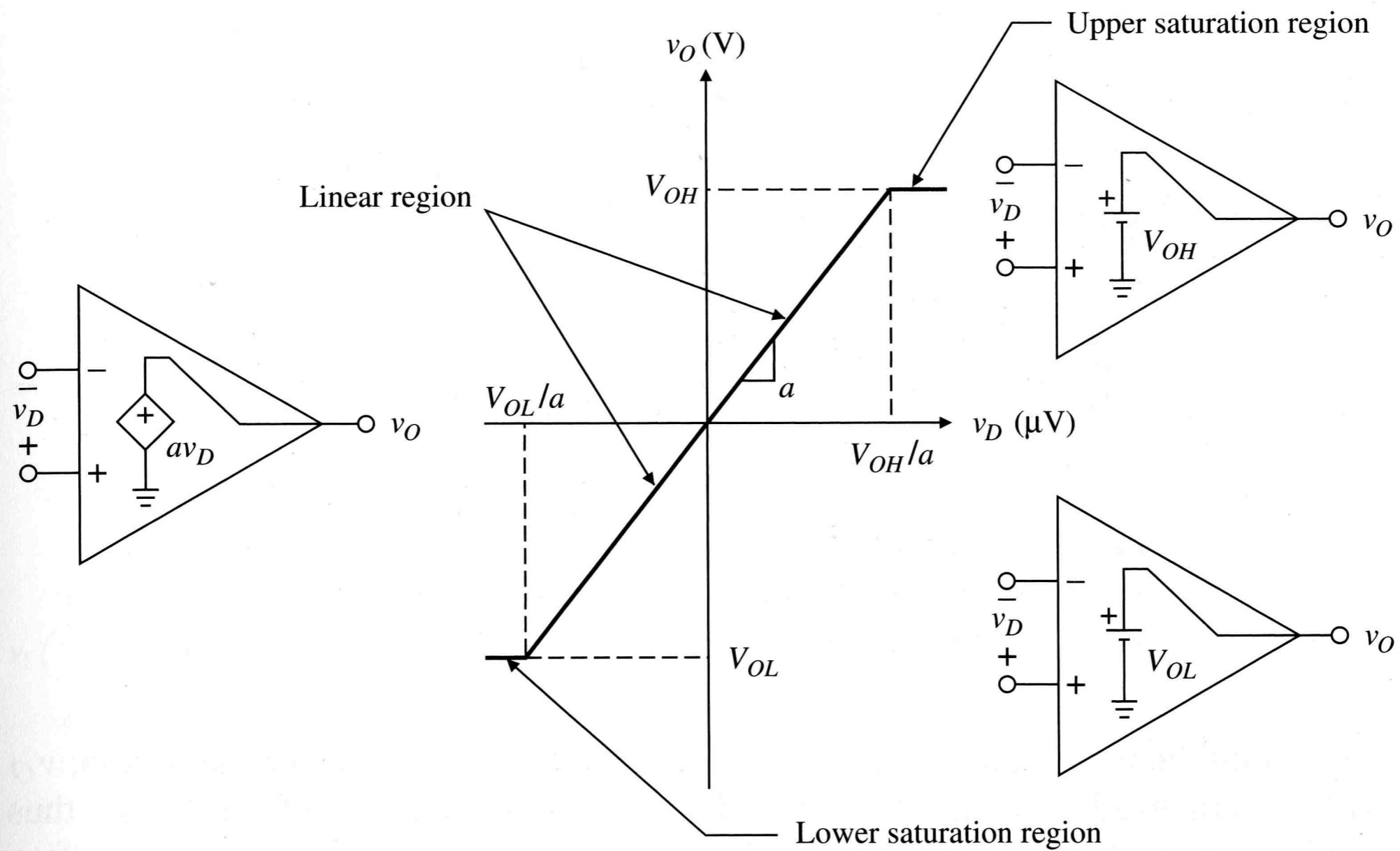


FIGURE 1.39
Regions of operation and approximate op amp models.

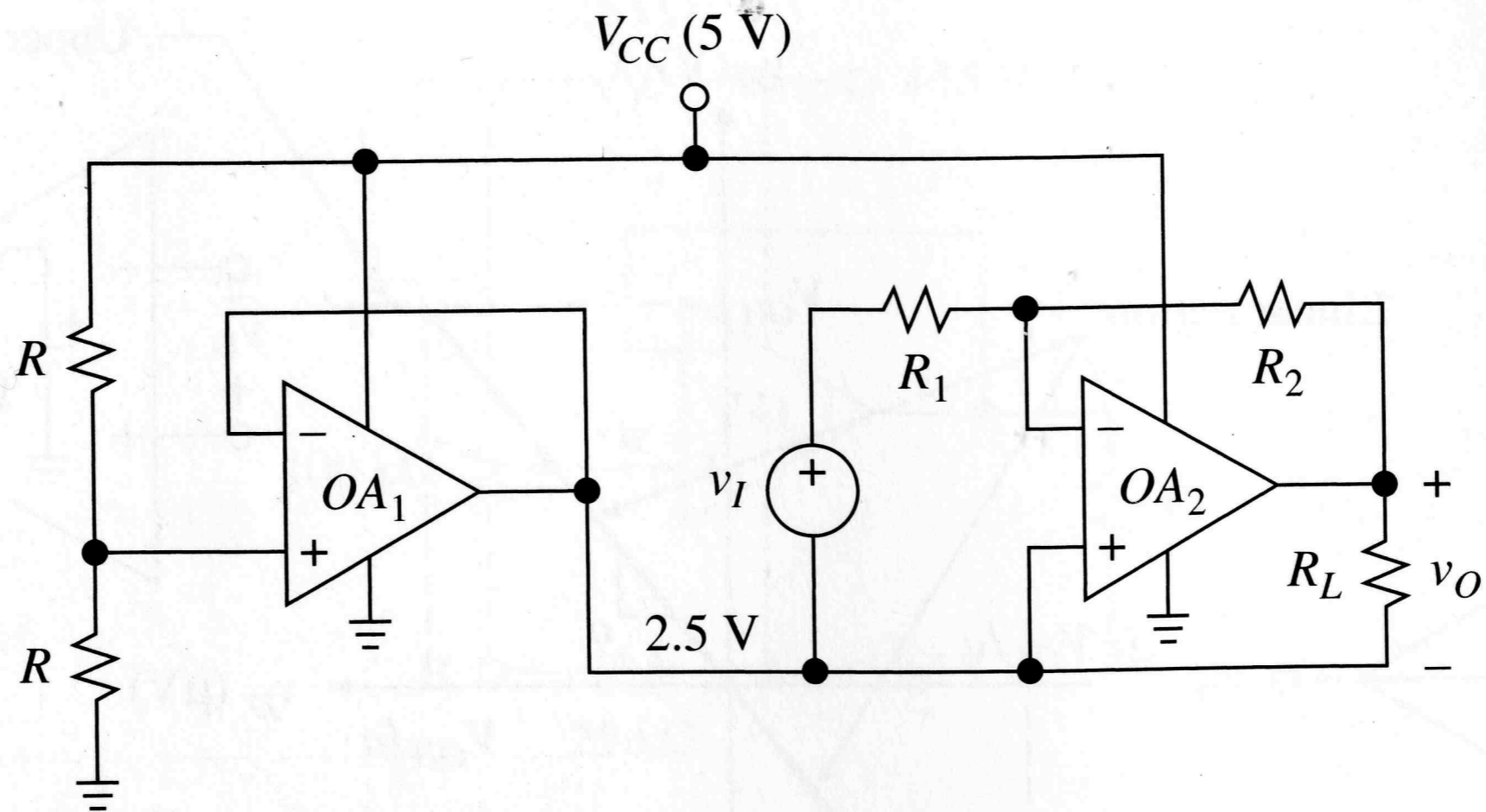
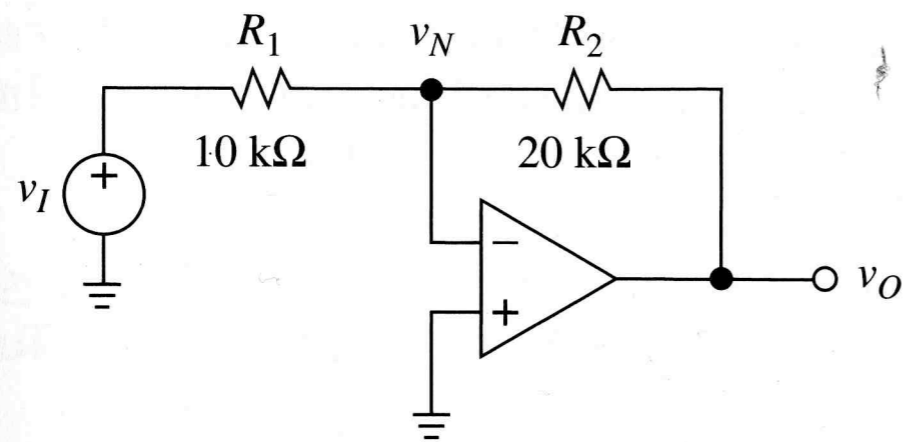
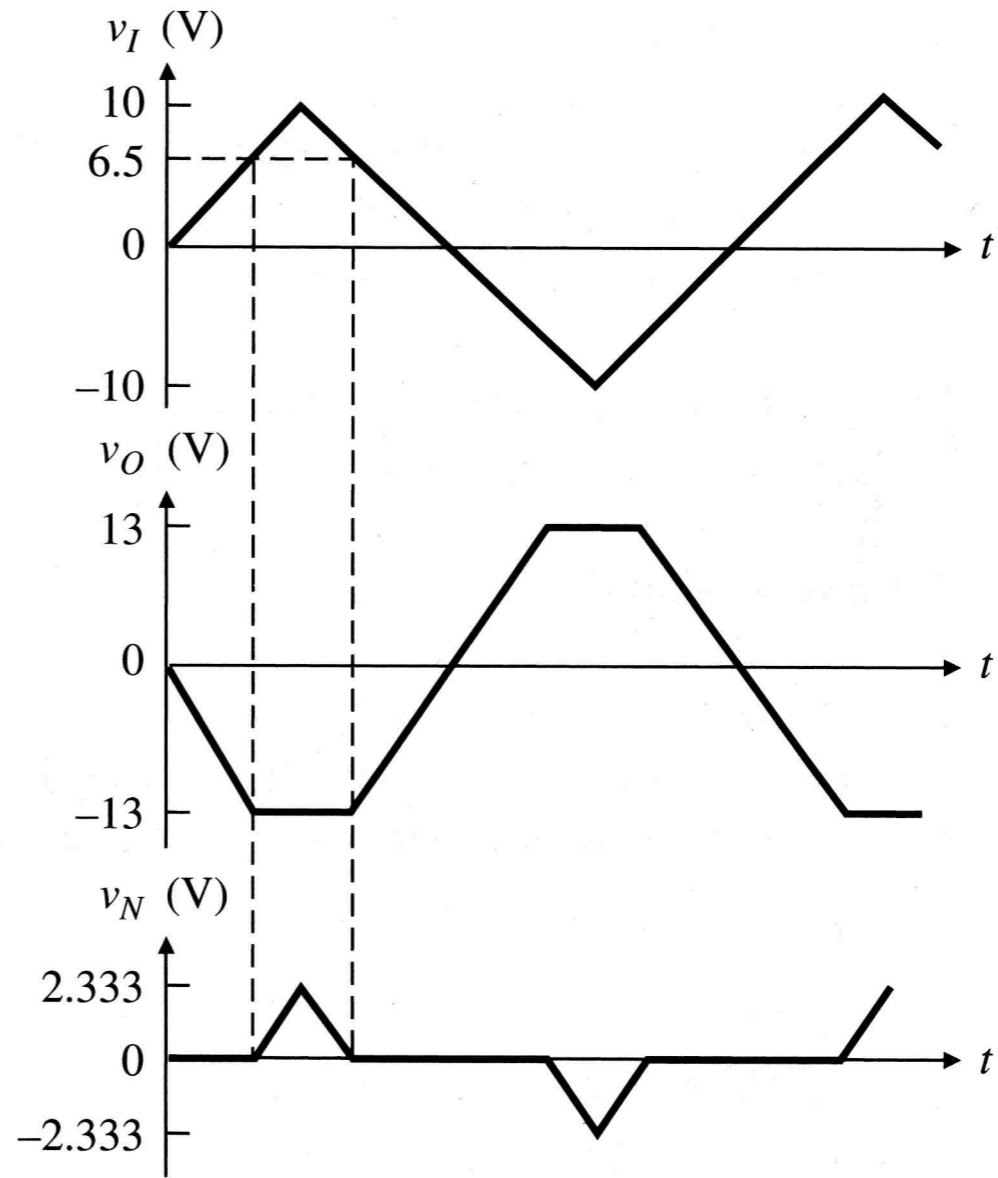


FIGURE 1.40

Synthesis of a 2.5-V common reference voltage in a 5-V single-supply system.



(a)



(b)

FIGURE 1.41
Waveforms of an inverting amplifier driven into saturation.