

OPAMP APPLICATIONS

INEL 5207 - SPRING 2008 - SLIDE SET 2

HOWLAND CURRENT PUMP

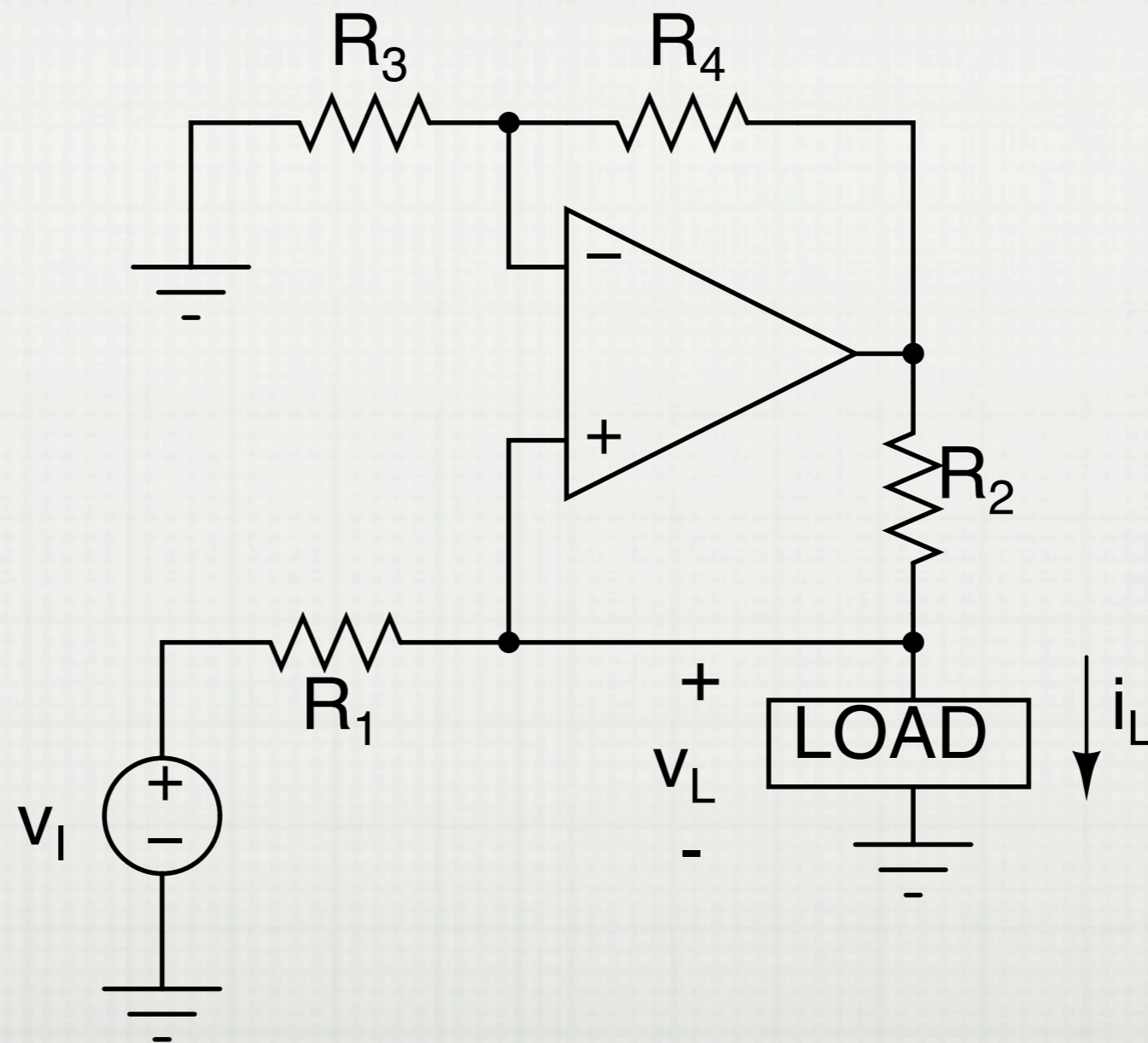


FIGURE 2.6

FLOATING LOAD V-TO-I

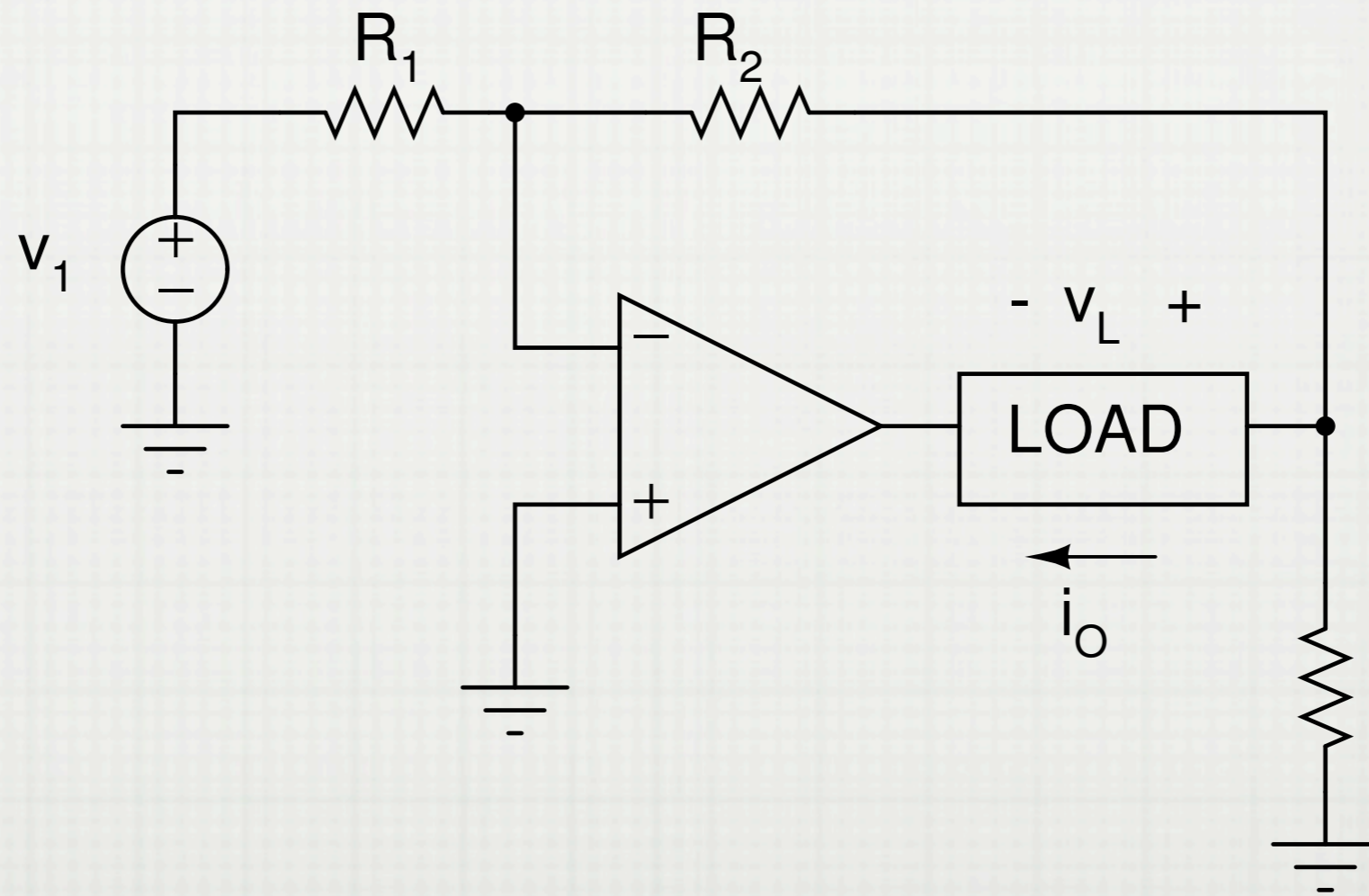


FIGURE 2.11

GROUNDING-LOAD CURRENT AMP

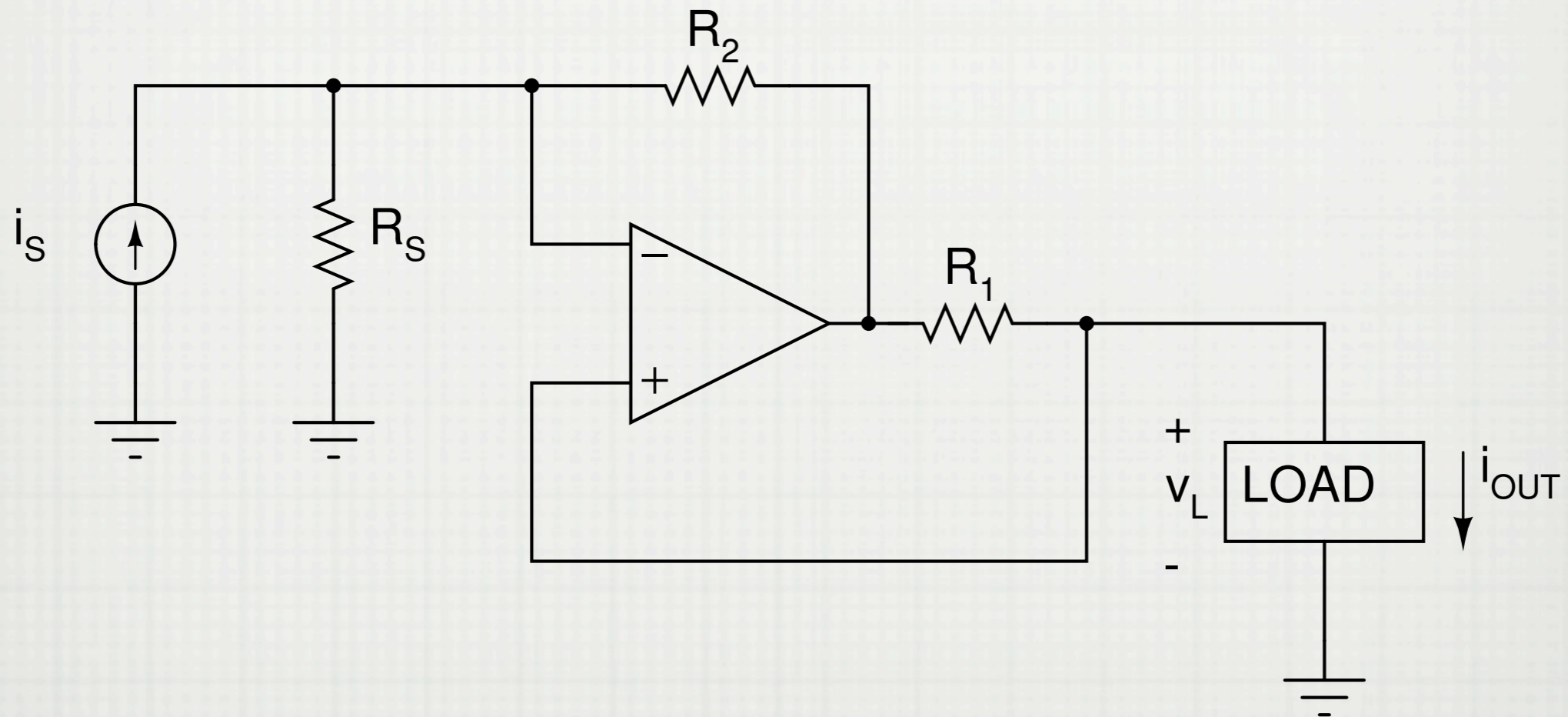


FIGURE 2.12

TRIPLE-OPAMP IA

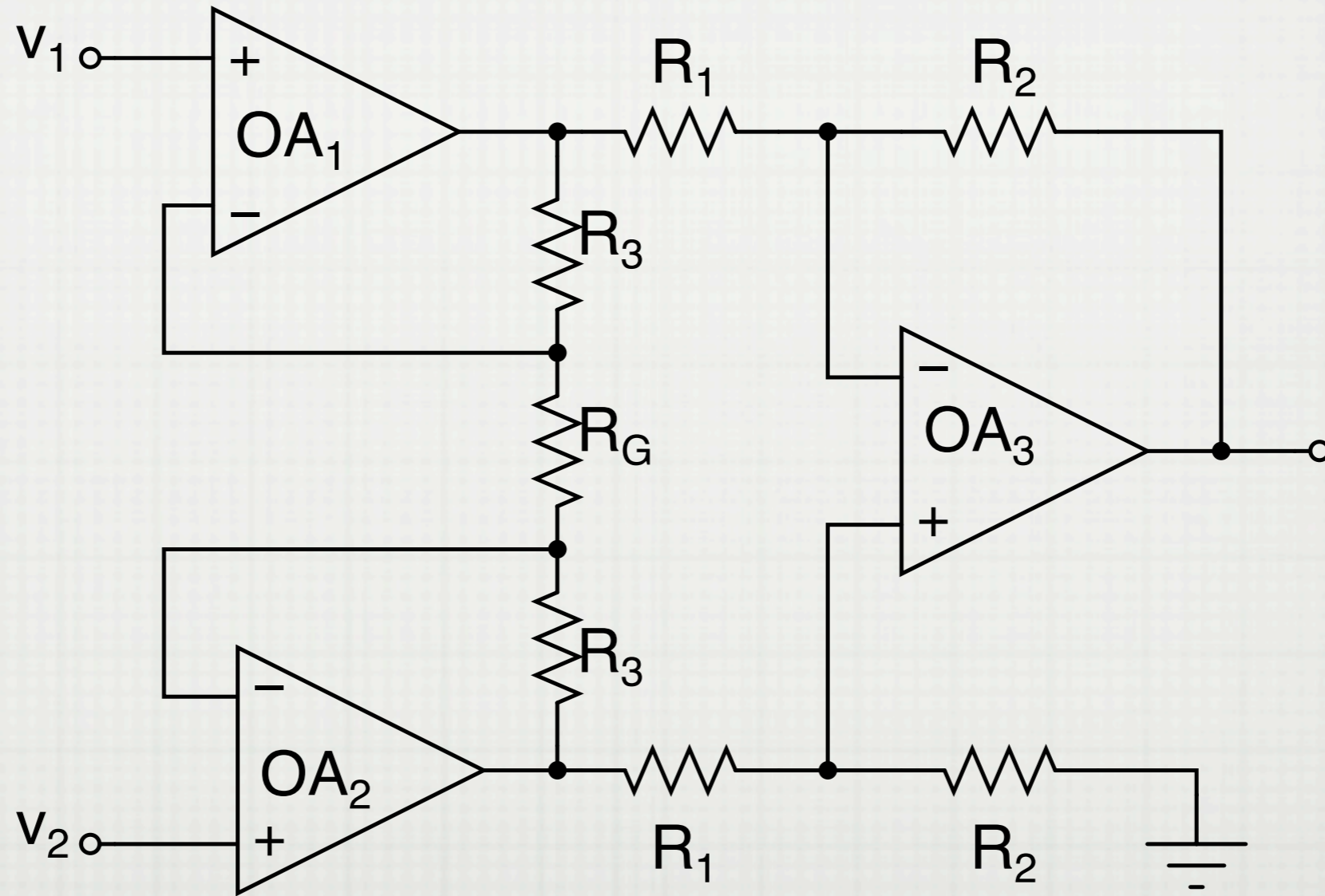


FIGURE 2.20

DUAL-OPAMP IA WITH VARIABLE GAIN

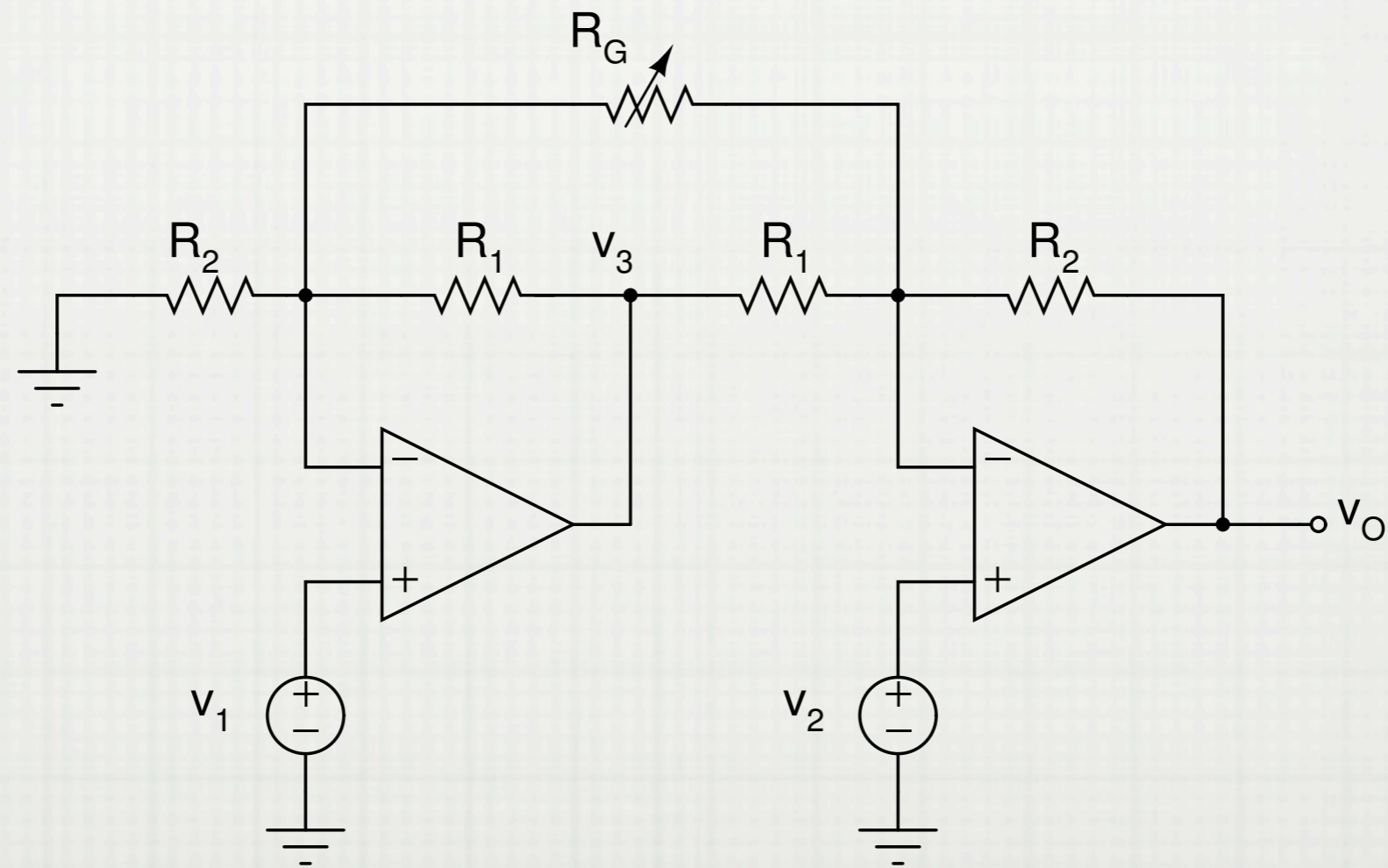


FIGURE 2.24

TRANSDUCER BRIDGE

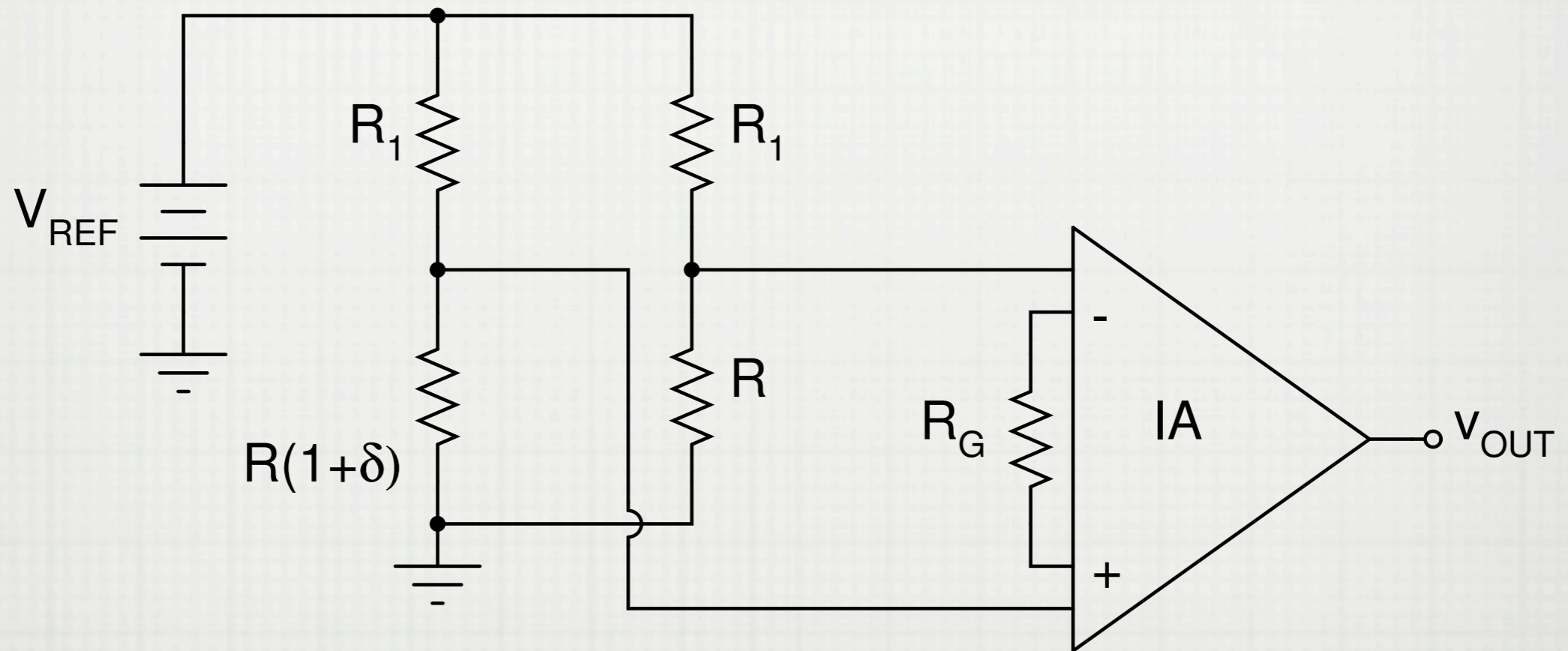


FIGURE 2.35

STRAIN-GAUGE BRIDGE & IA (LOAD CELL)

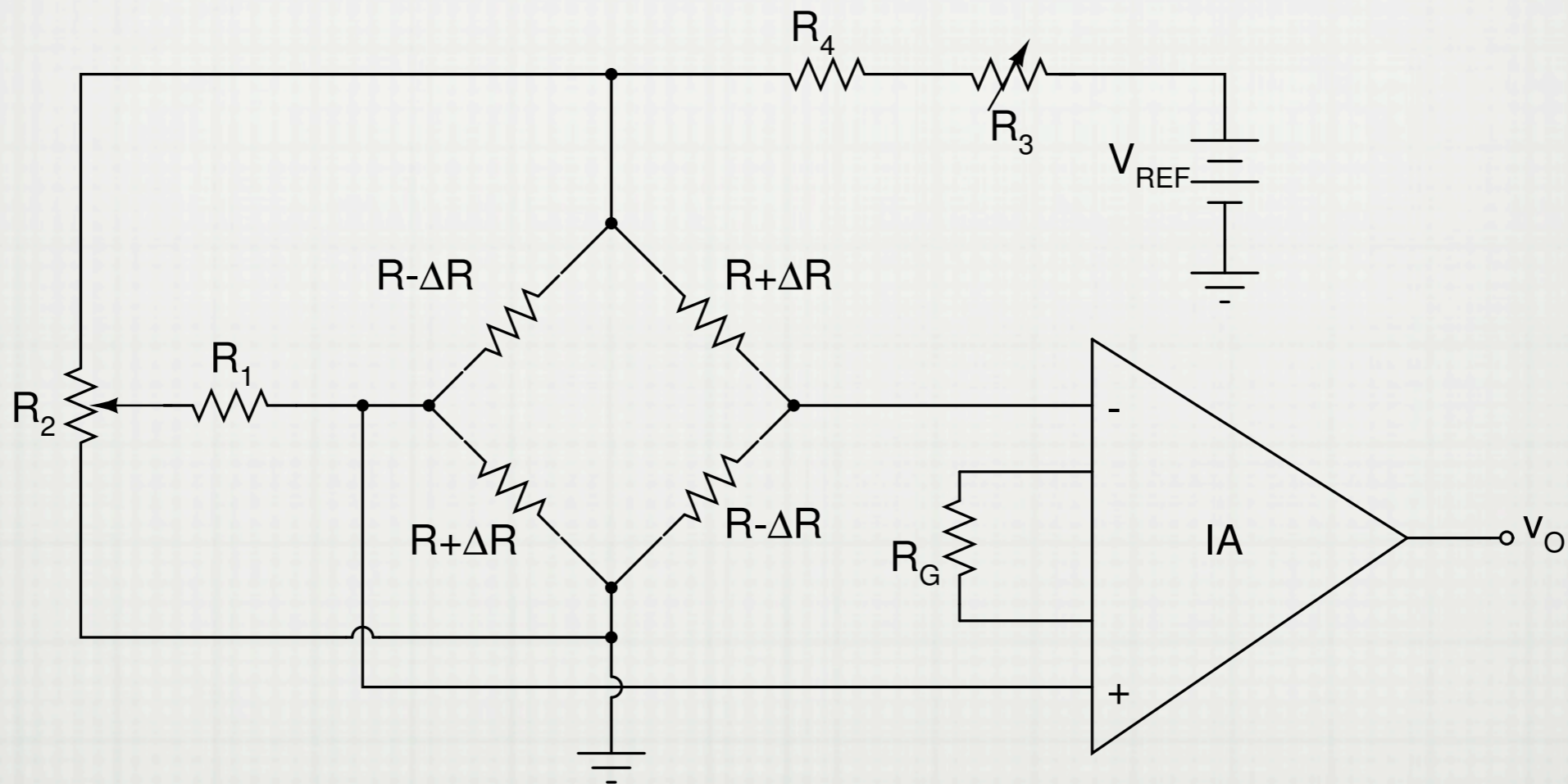


FIGURE 2.37

SINGLE-OPAMP BRIDGE AMPLIFIER

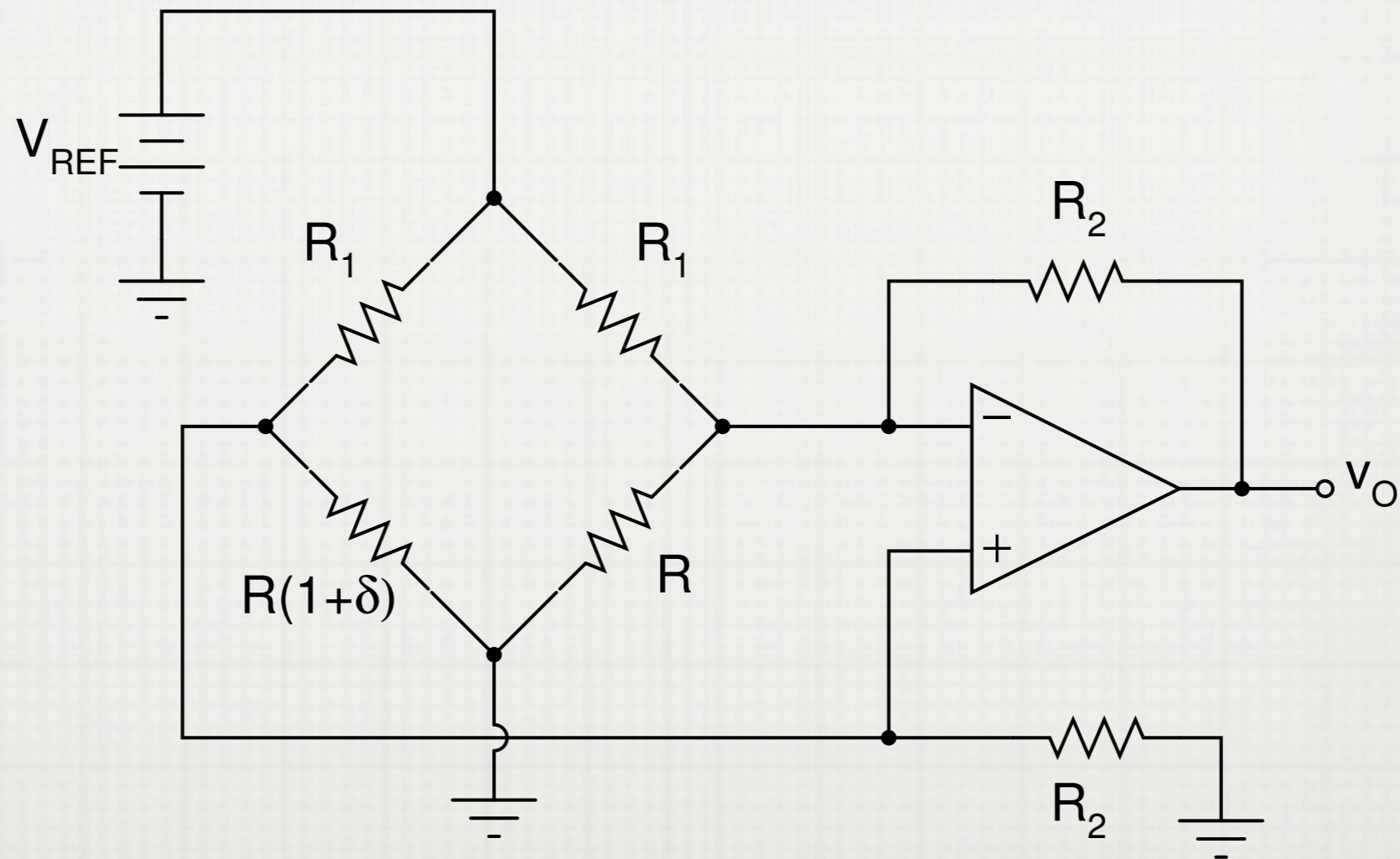


FIGURE 2.38

NEGATIVE RESISTANCE CONVERTER (NIC)

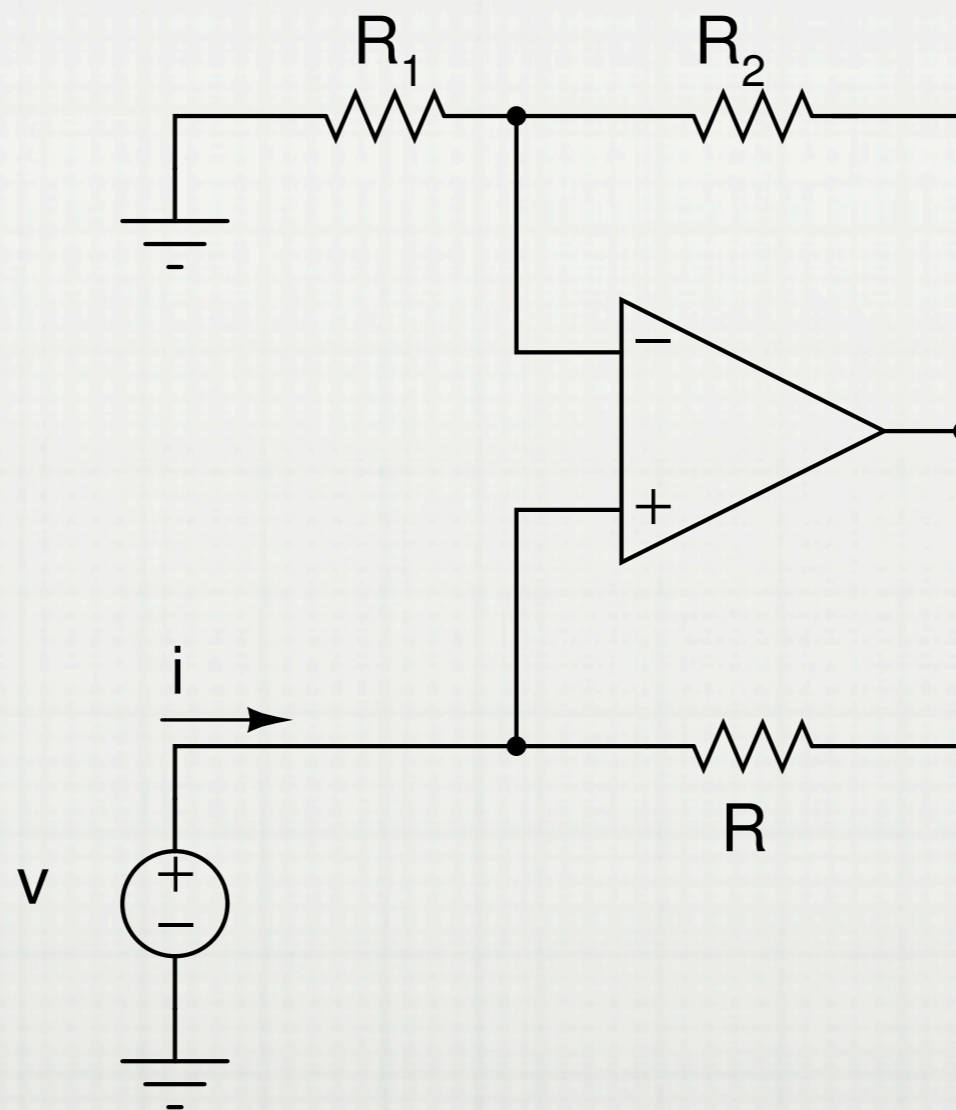


FIGURE 1-20

EXERCISES

TEXTBOOK PROBLEMS

1.15

2.15