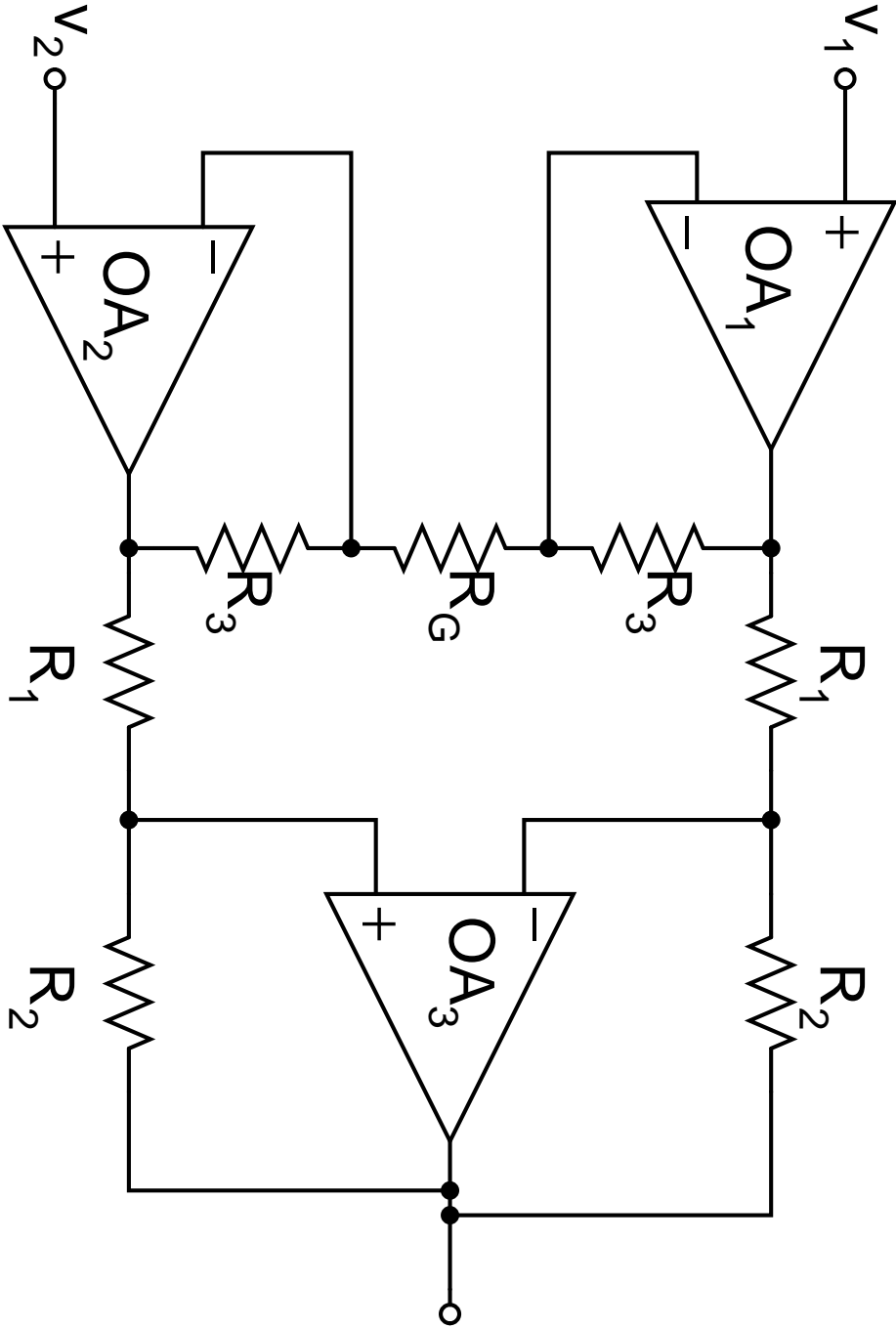
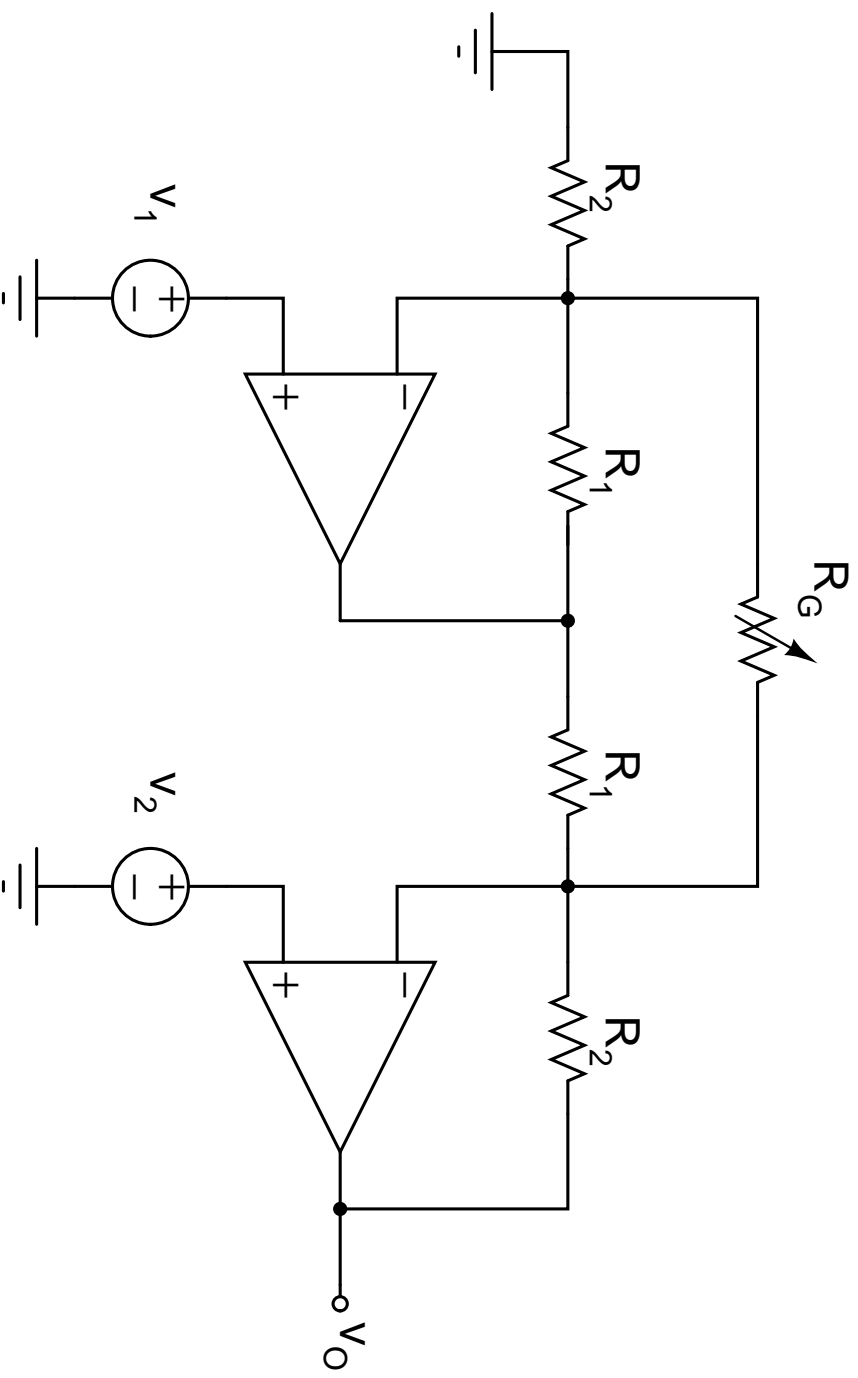


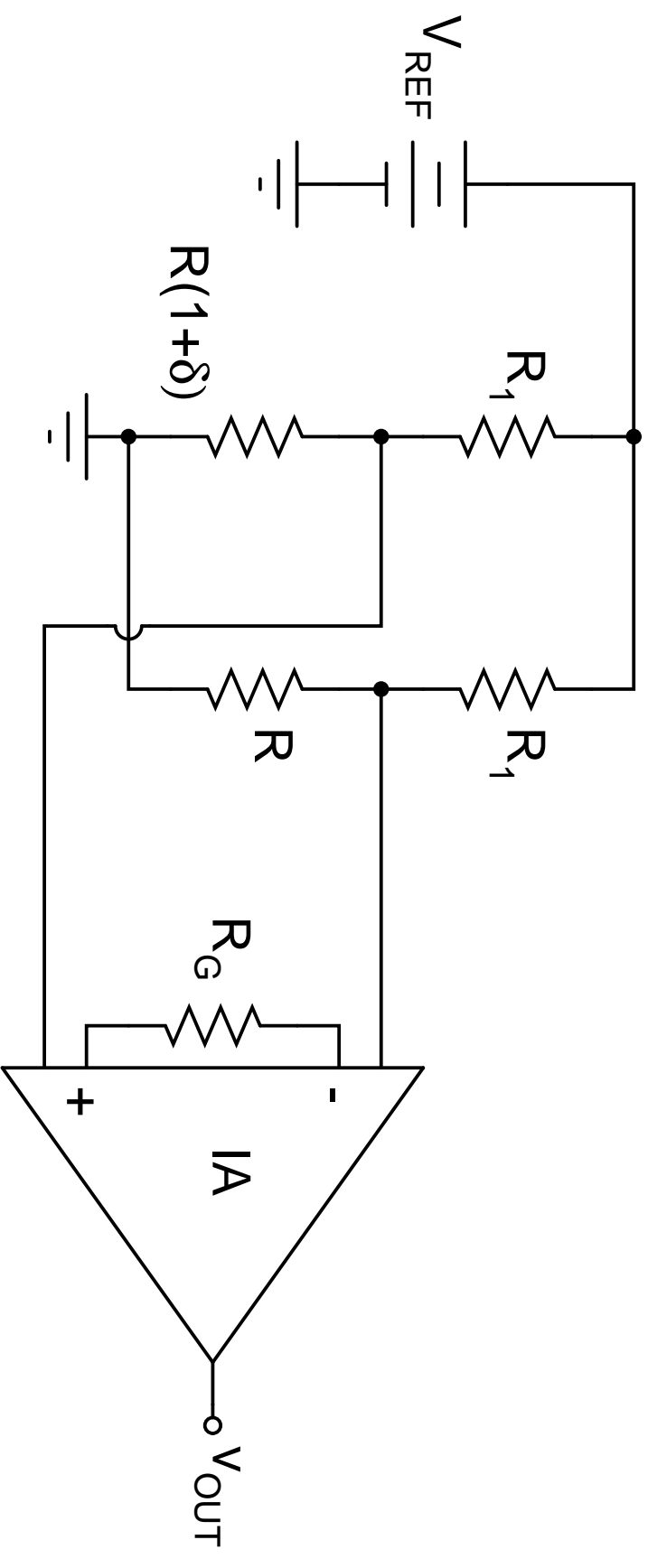
# Instrumentation Amplifier using 3 Opamps



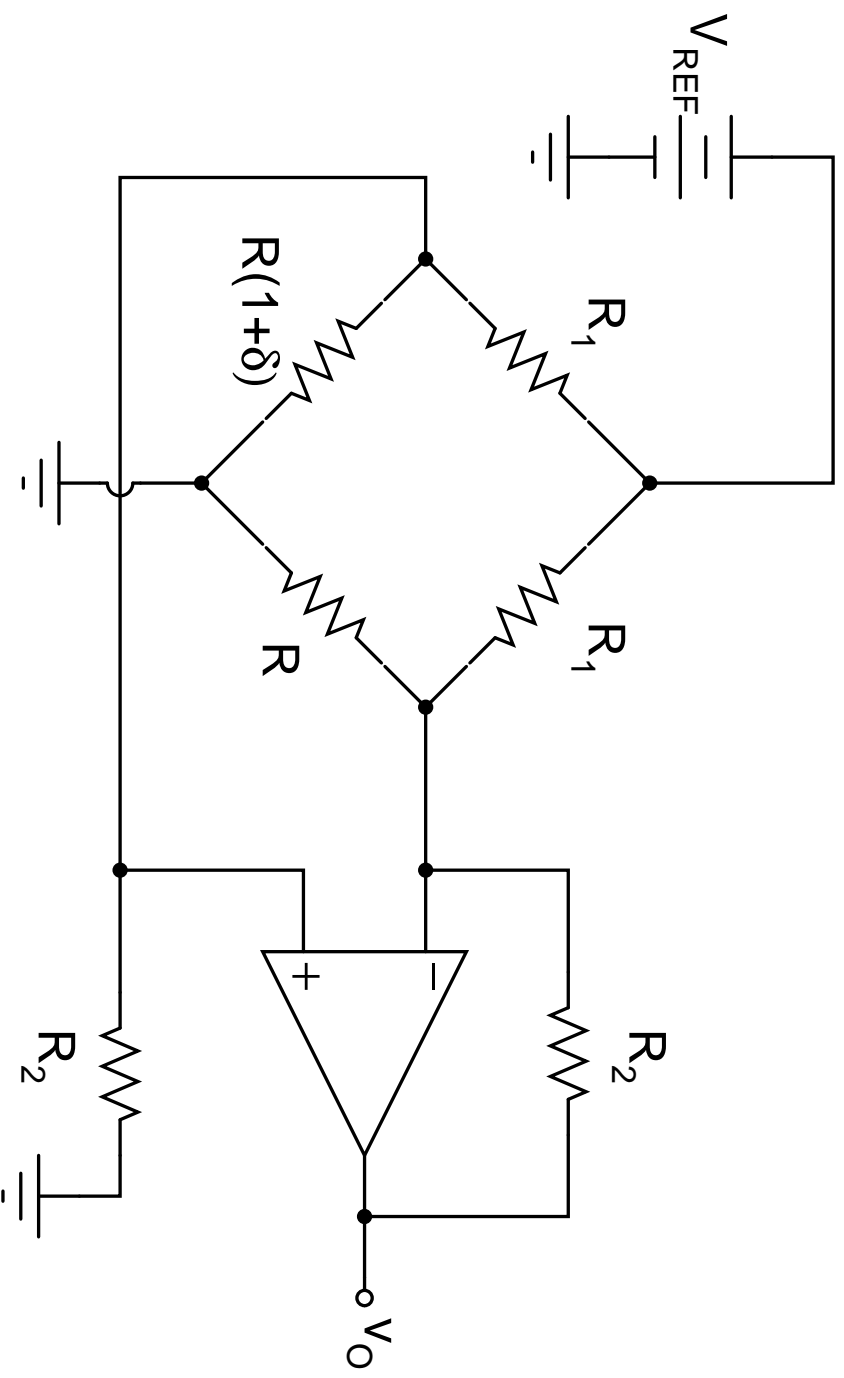
# Dual Opamp IA



# Transducer Bridge Amplifier



# Transducer Bridge Amp. with Op amp



# Load Cell

