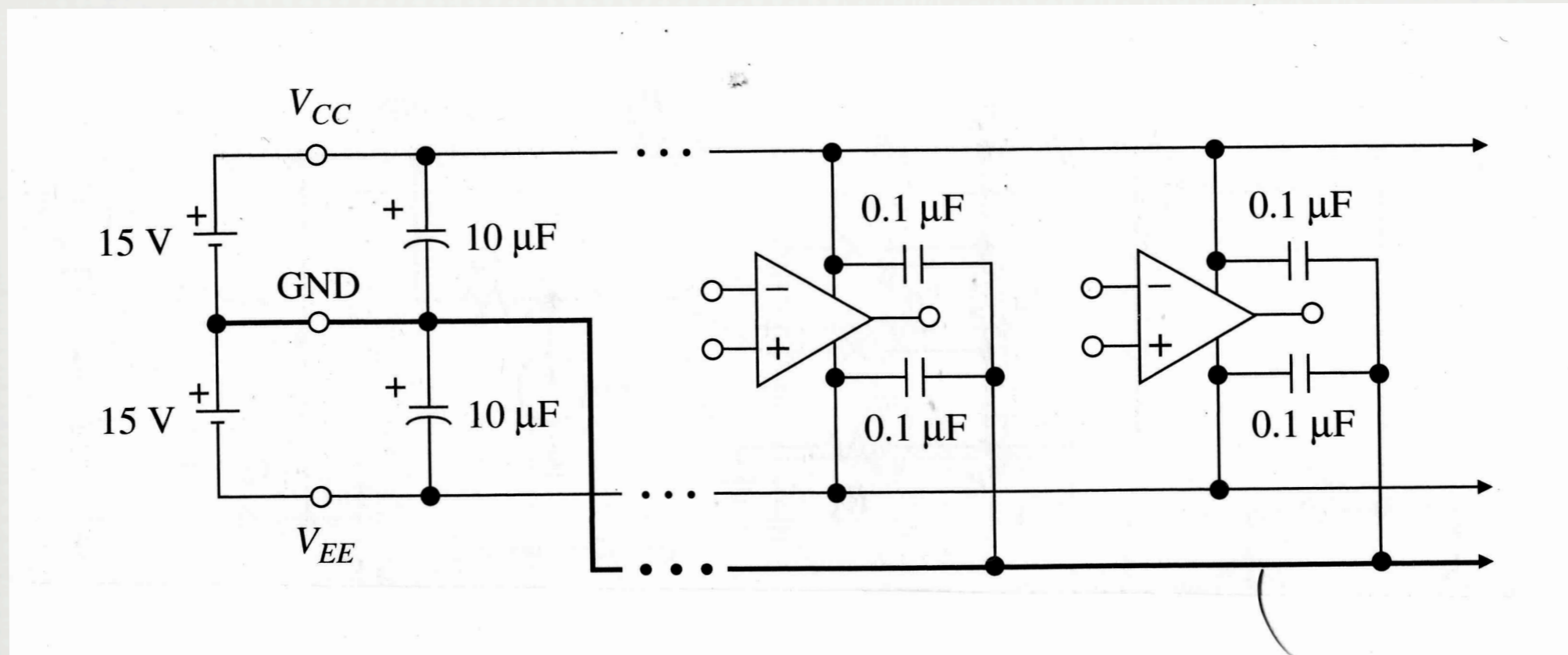


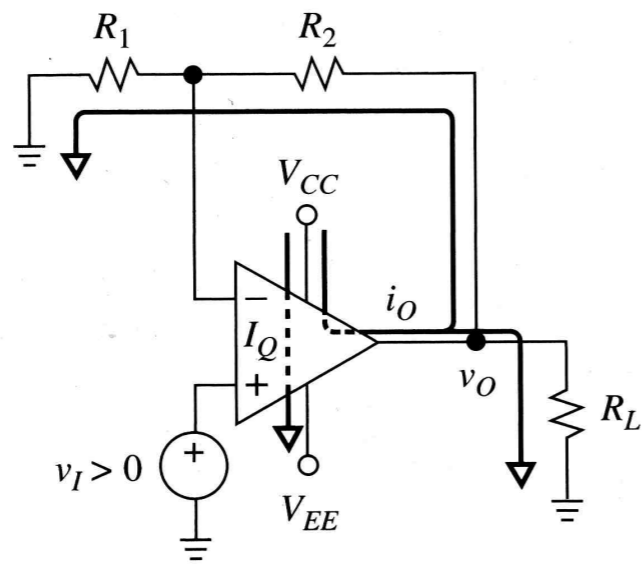
# OPAMP POWER

INEL 5207 - SPRING 2011

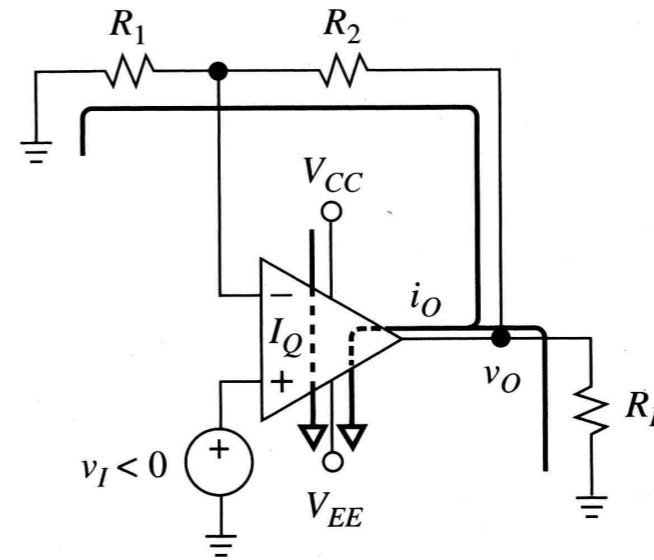
# BYPASS CAPS



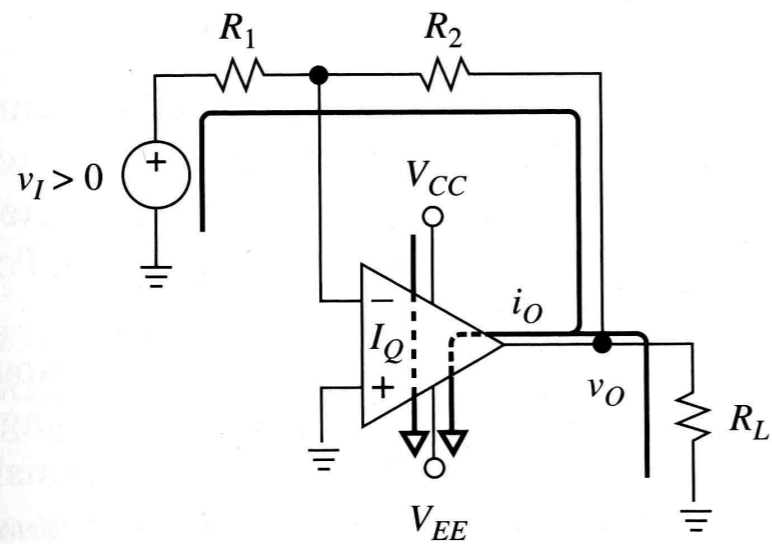
# CURRENT FLOW



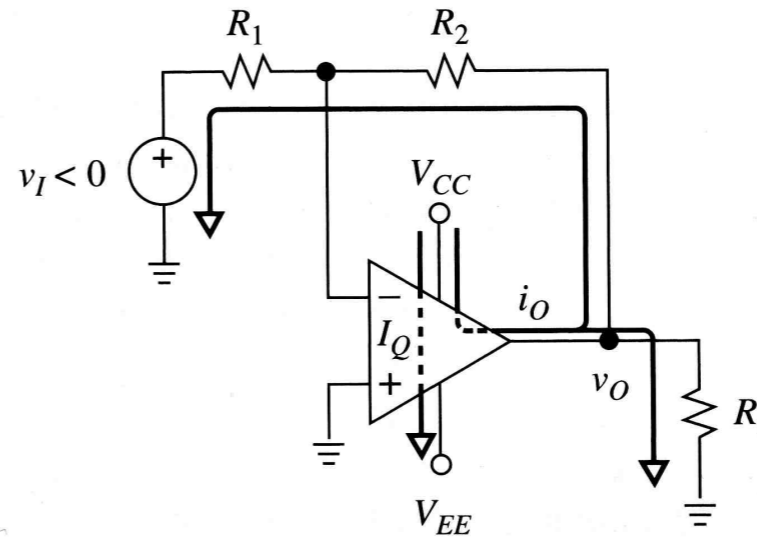
(a)



(b)

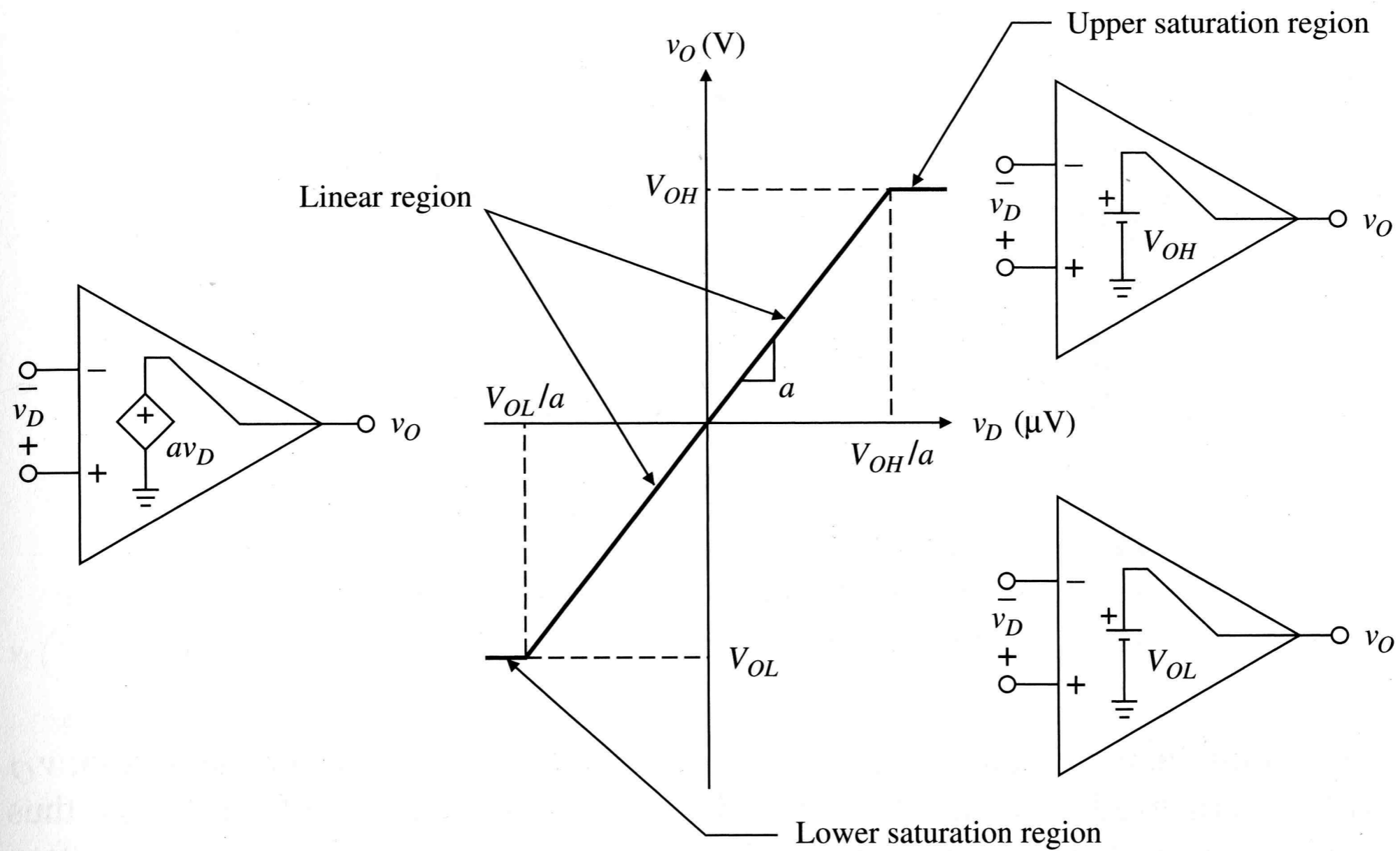


(c)

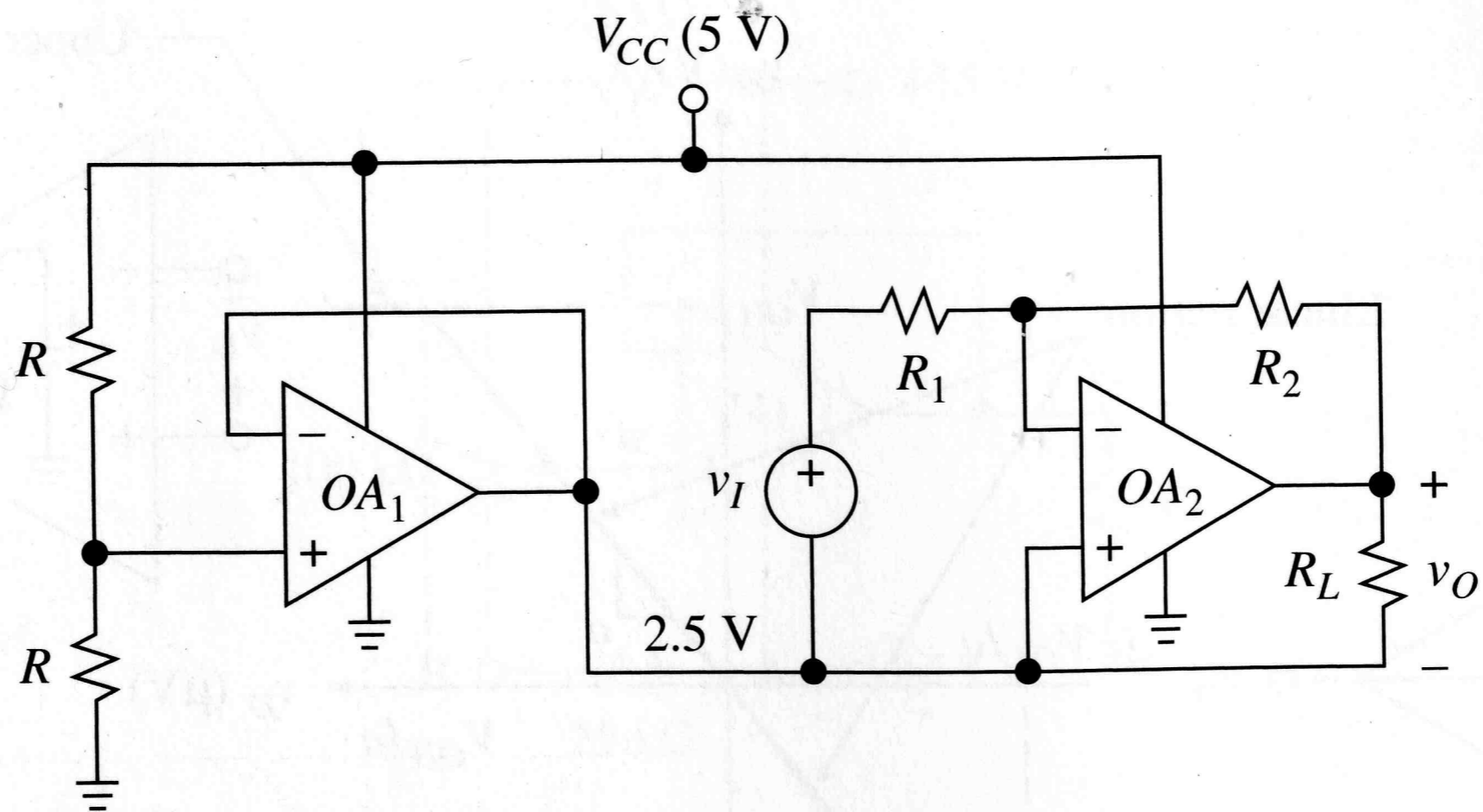


(d)

DISCUSSION OF PROB. 1.65

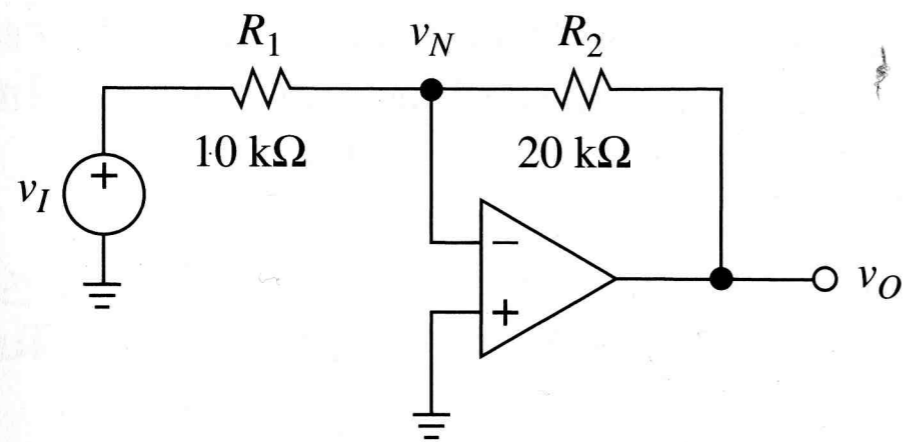


**FIGURE 1.39**  
Regions of operation and approximate op amp models.

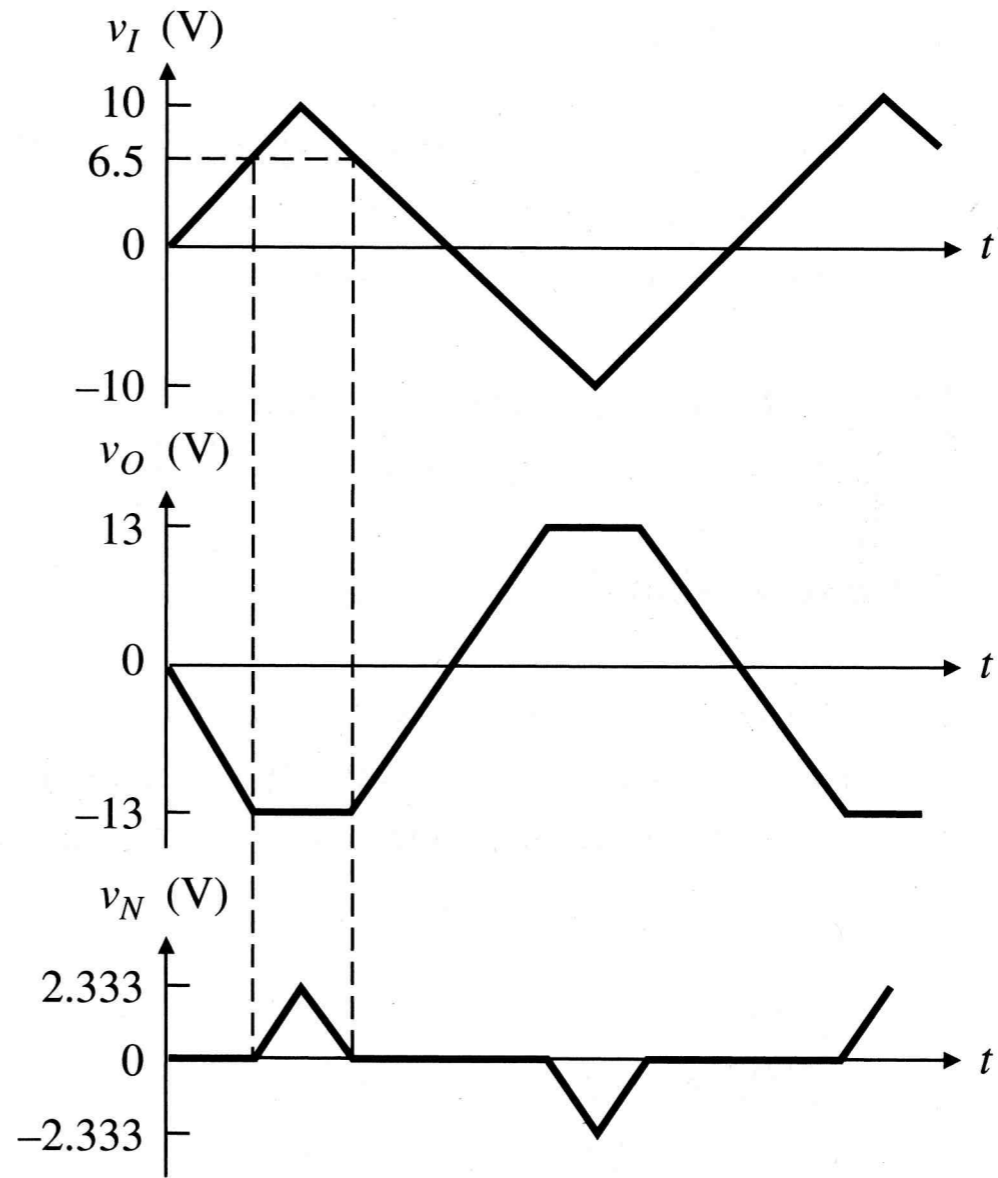


**FIGURE 1.40**

Synthesis of a 2.5-V common reference voltage in a 5-V single-supply system.



(a)



(b)

**FIGURE 1.41**  
Waveforms of an inverting amplifier driven into saturation.