

# OPAMP APPLICATIONS

INEL 5207 - SPRING 2010 - CHAPTER 2

# HOWLAND CURRENT PUMP

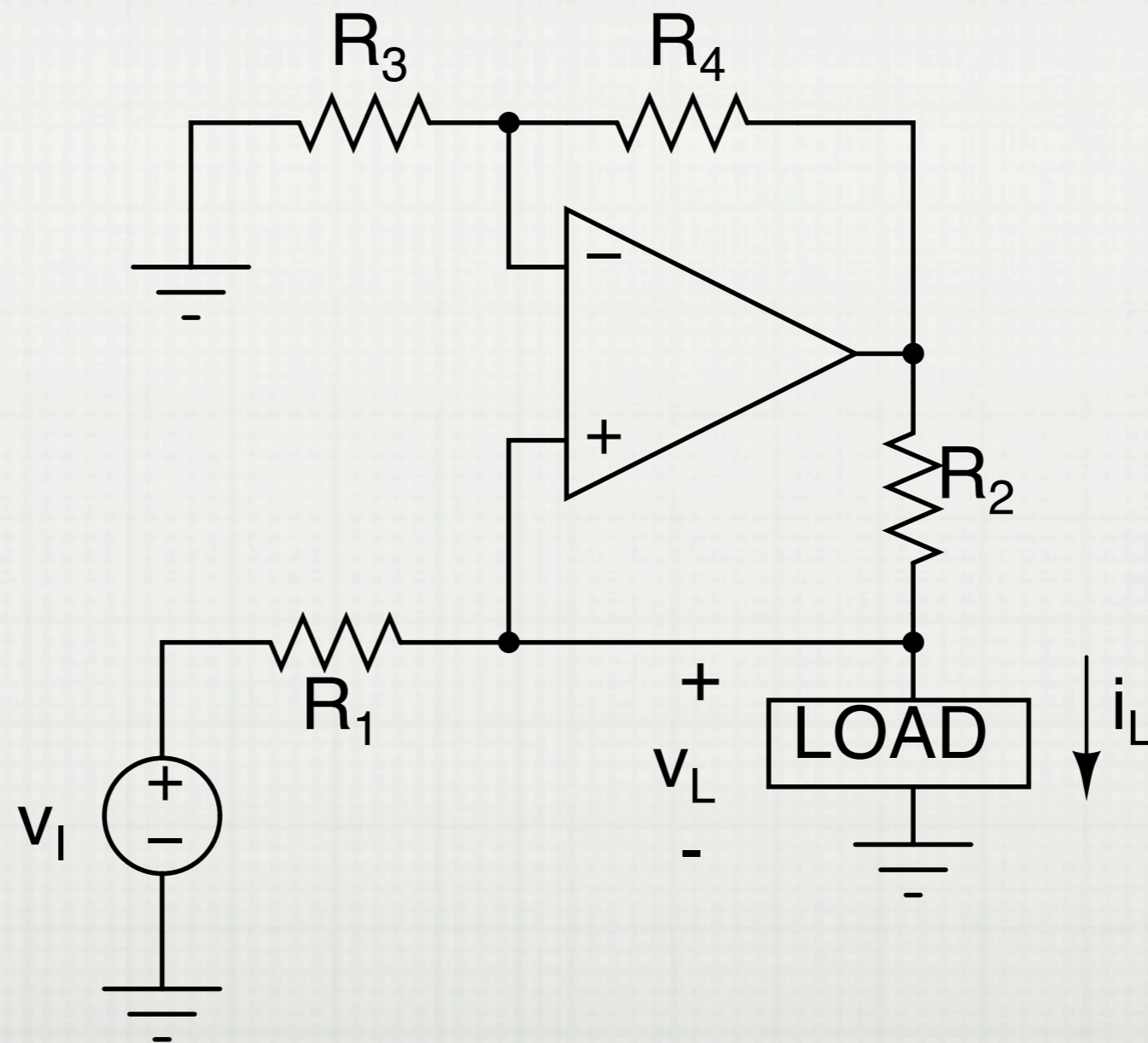


FIGURE 2.6

# FLOATING LOAD V-TO-I

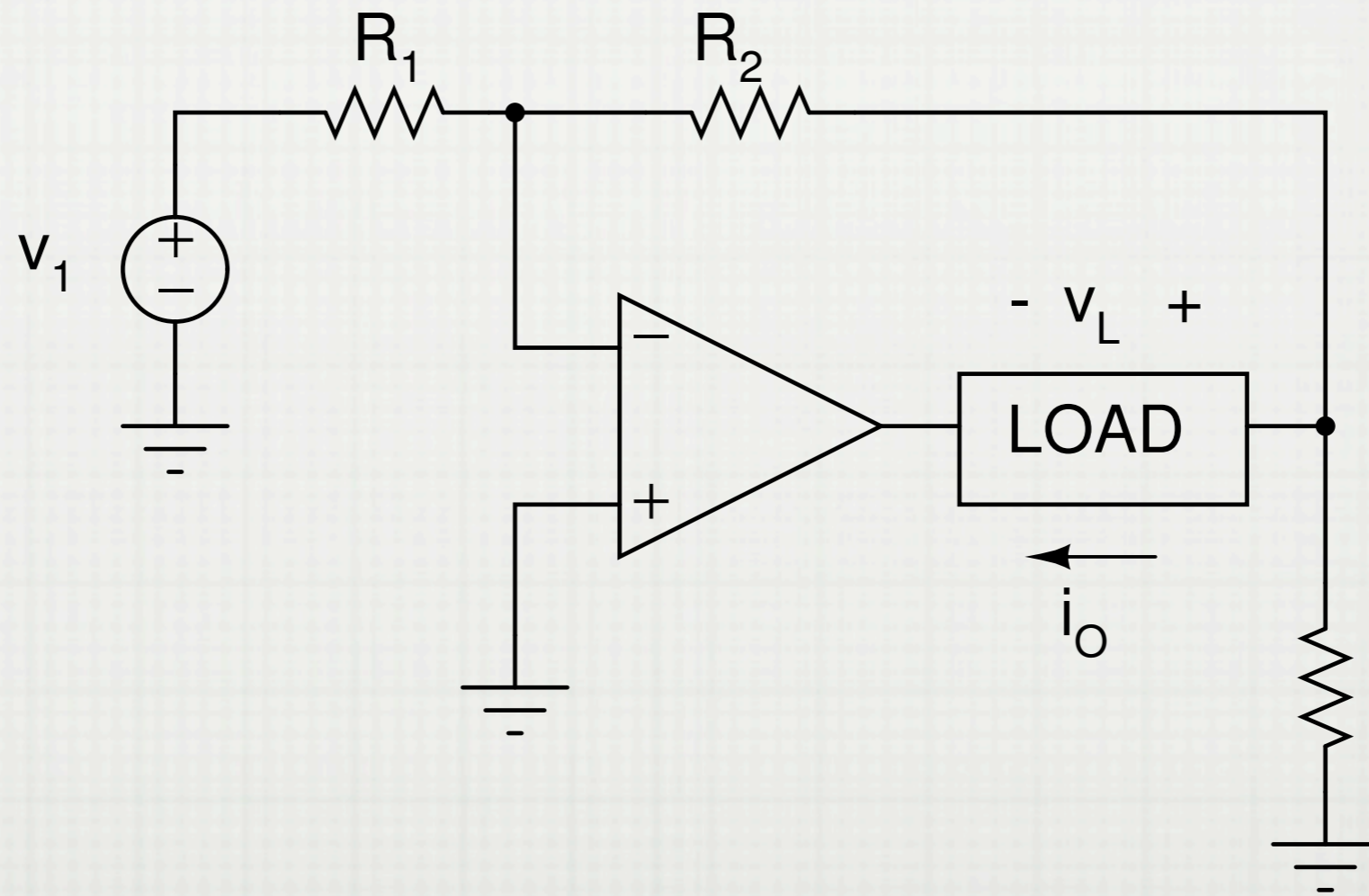


FIGURE 2.11

# GROUNDING-LOAD CURRENT AMP

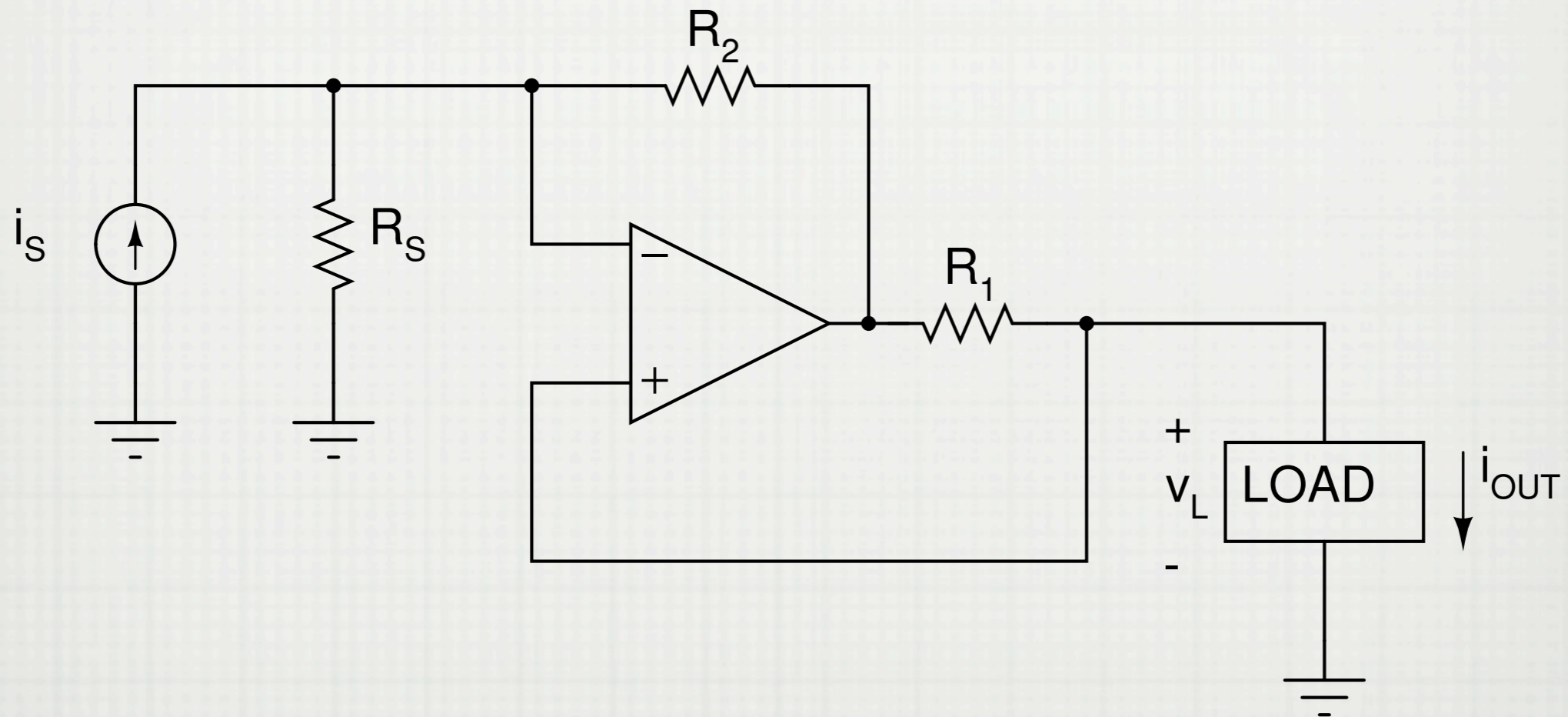


FIGURE 2.12

# TRIPLE-OPAMP IA

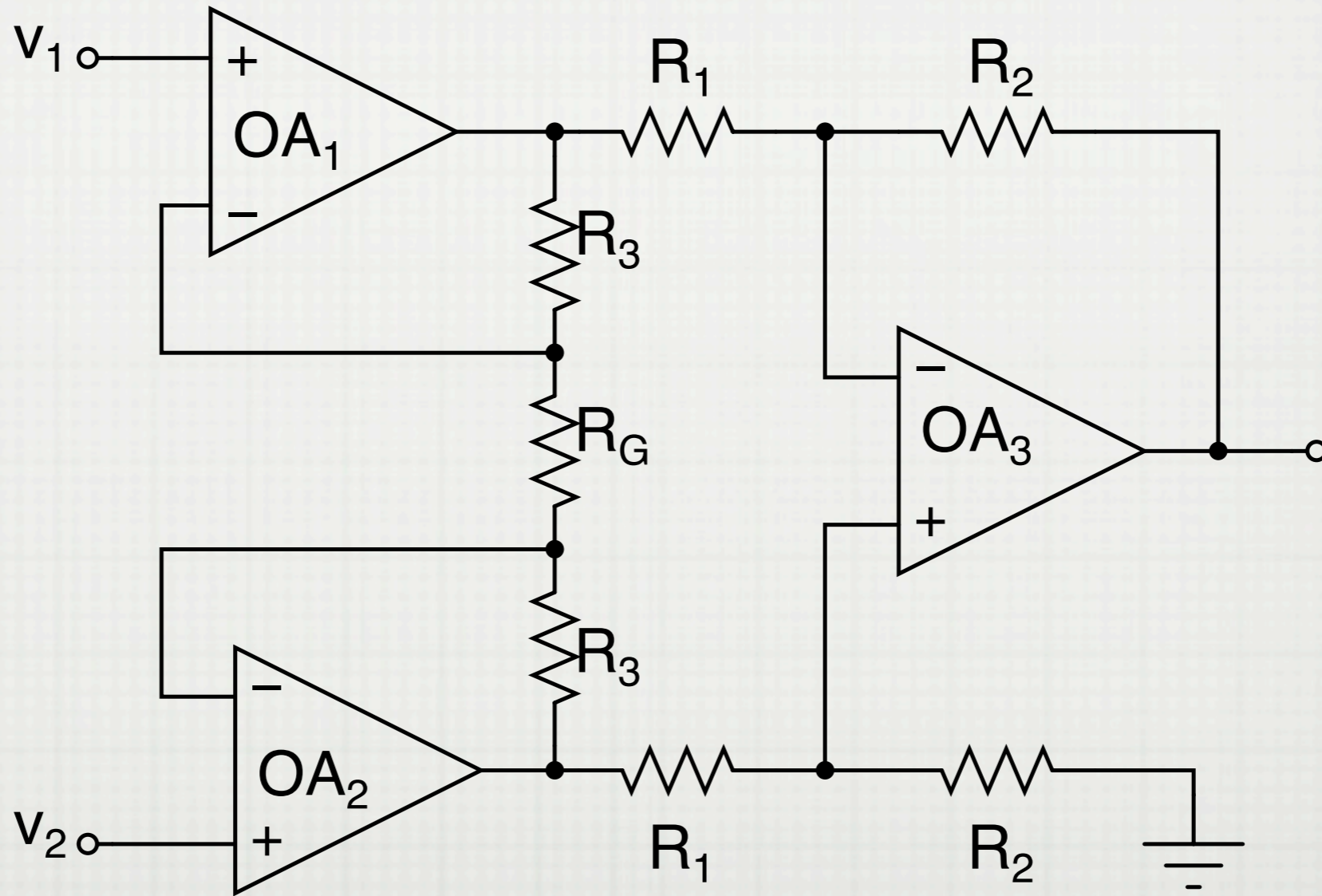


FIGURE 2.20

# DUAL-OPAMP IA WITH VARIABLE GAIN

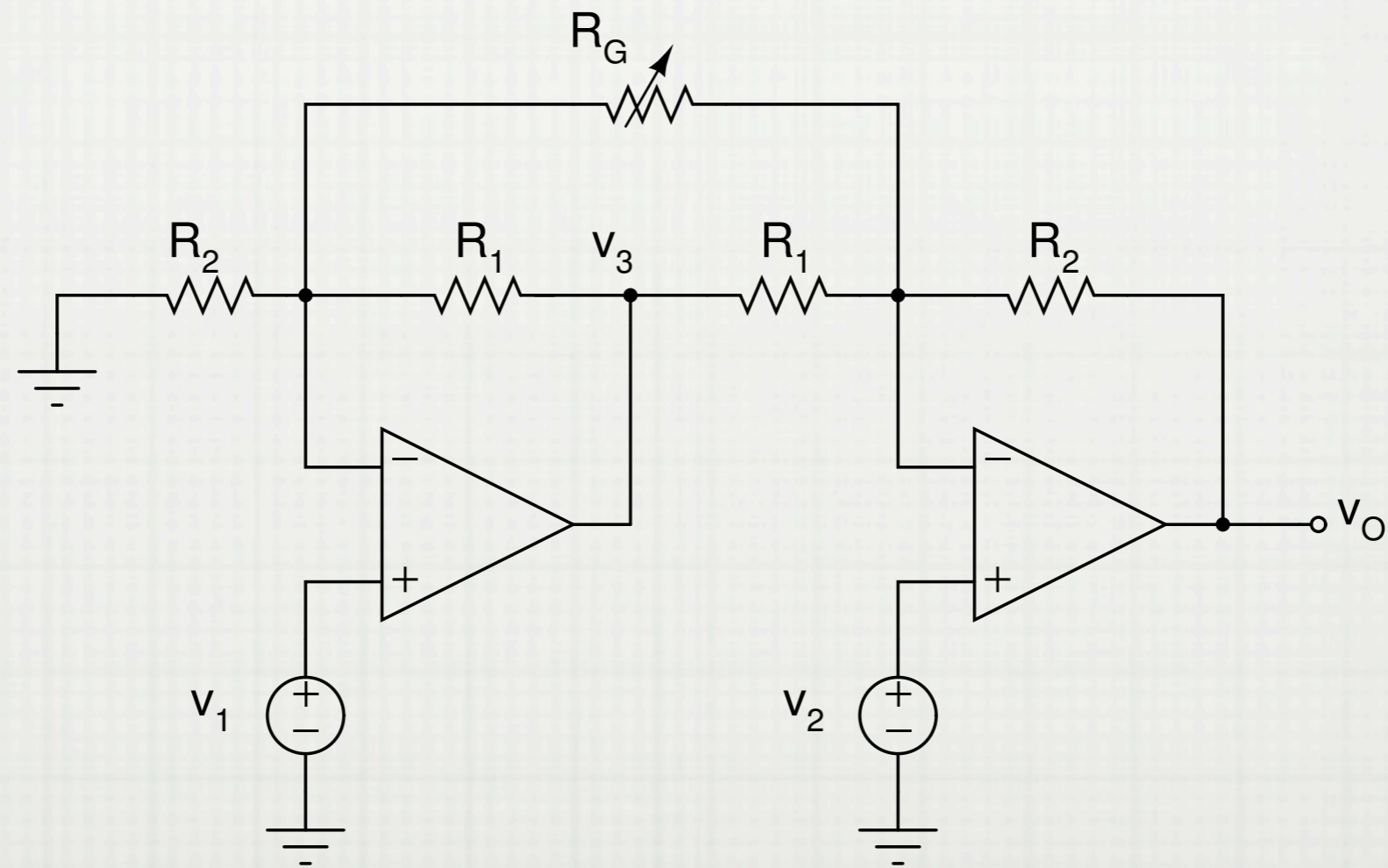


FIGURE 2.24

# TRANSDUCER BRIDGE

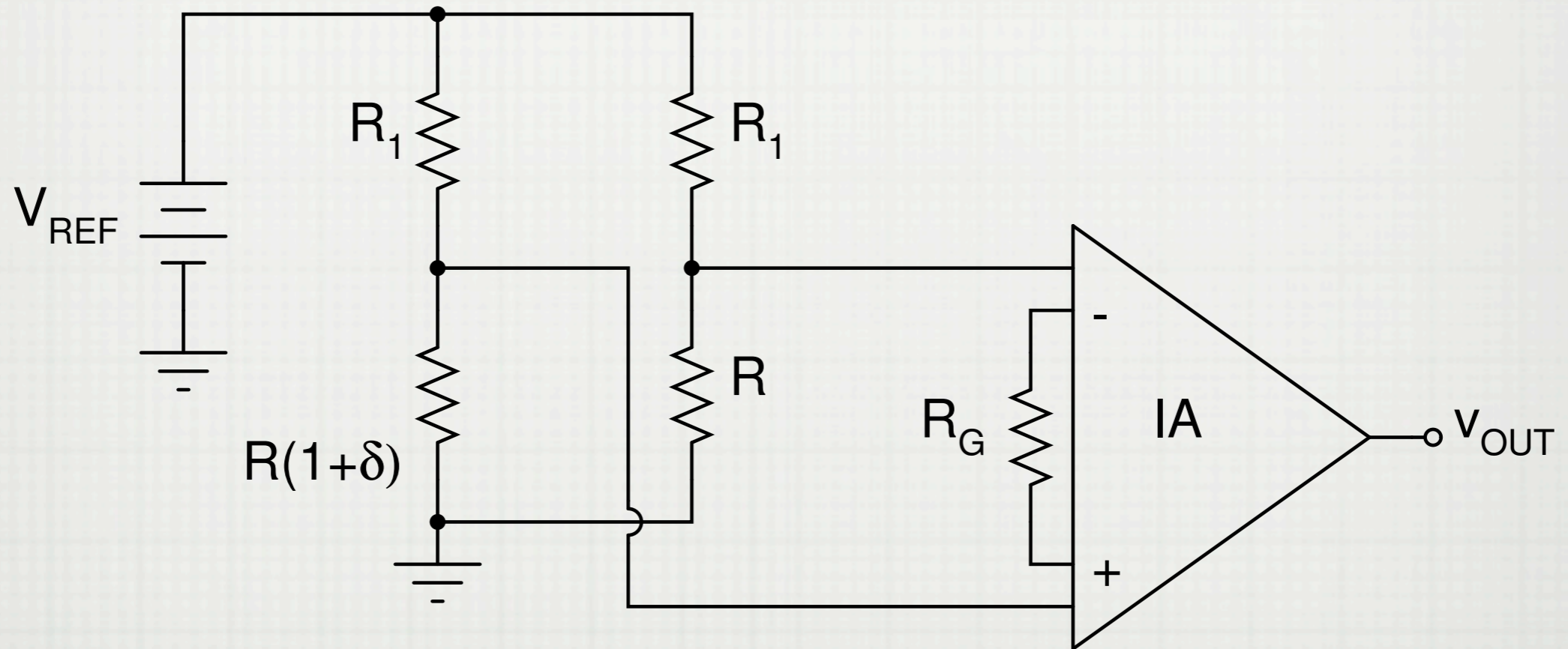


FIGURE 2.35