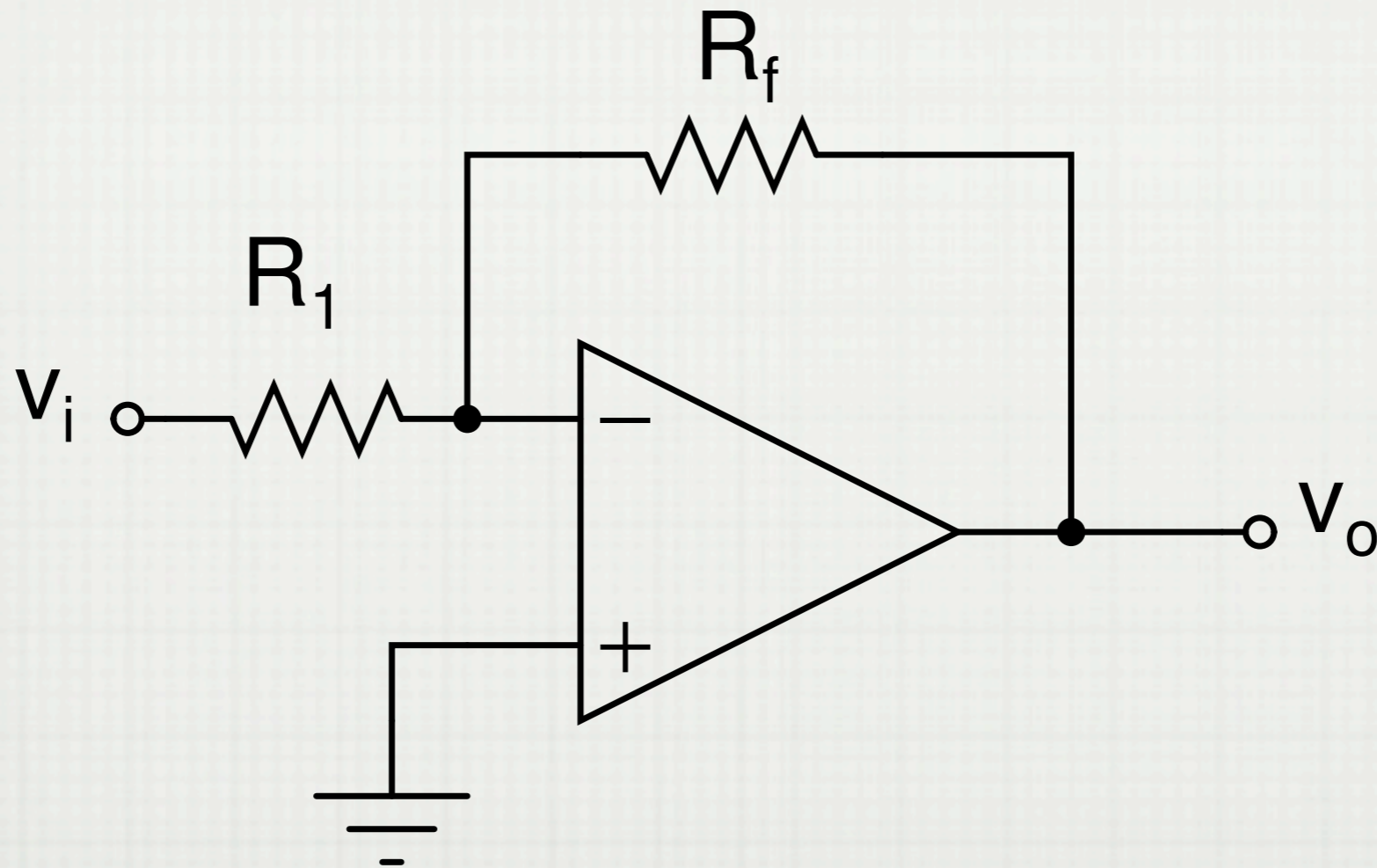


# OP-AMPS

INEL 5205 - FALL 2012

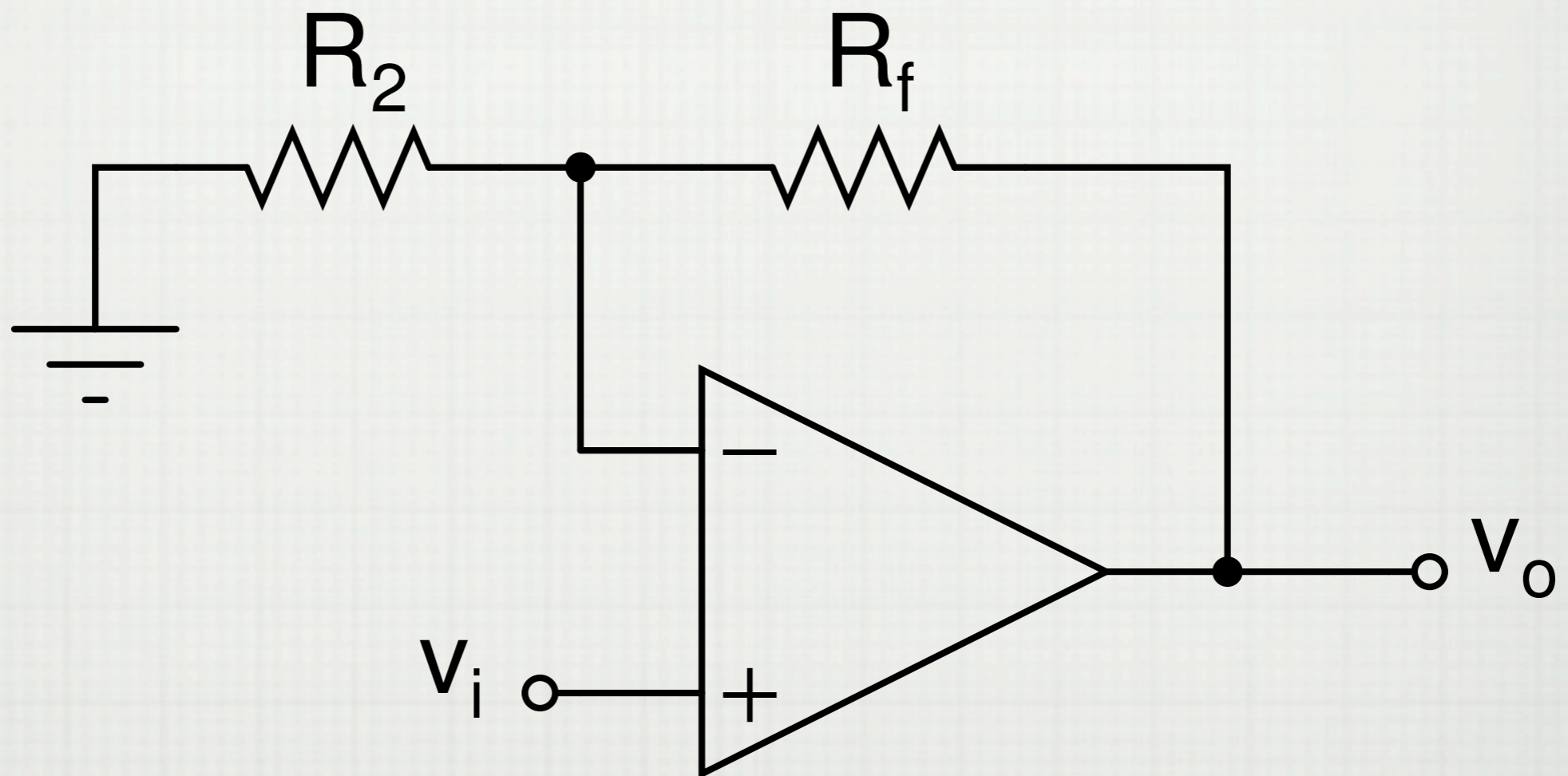
# INVERTING AMPLIFIER

---



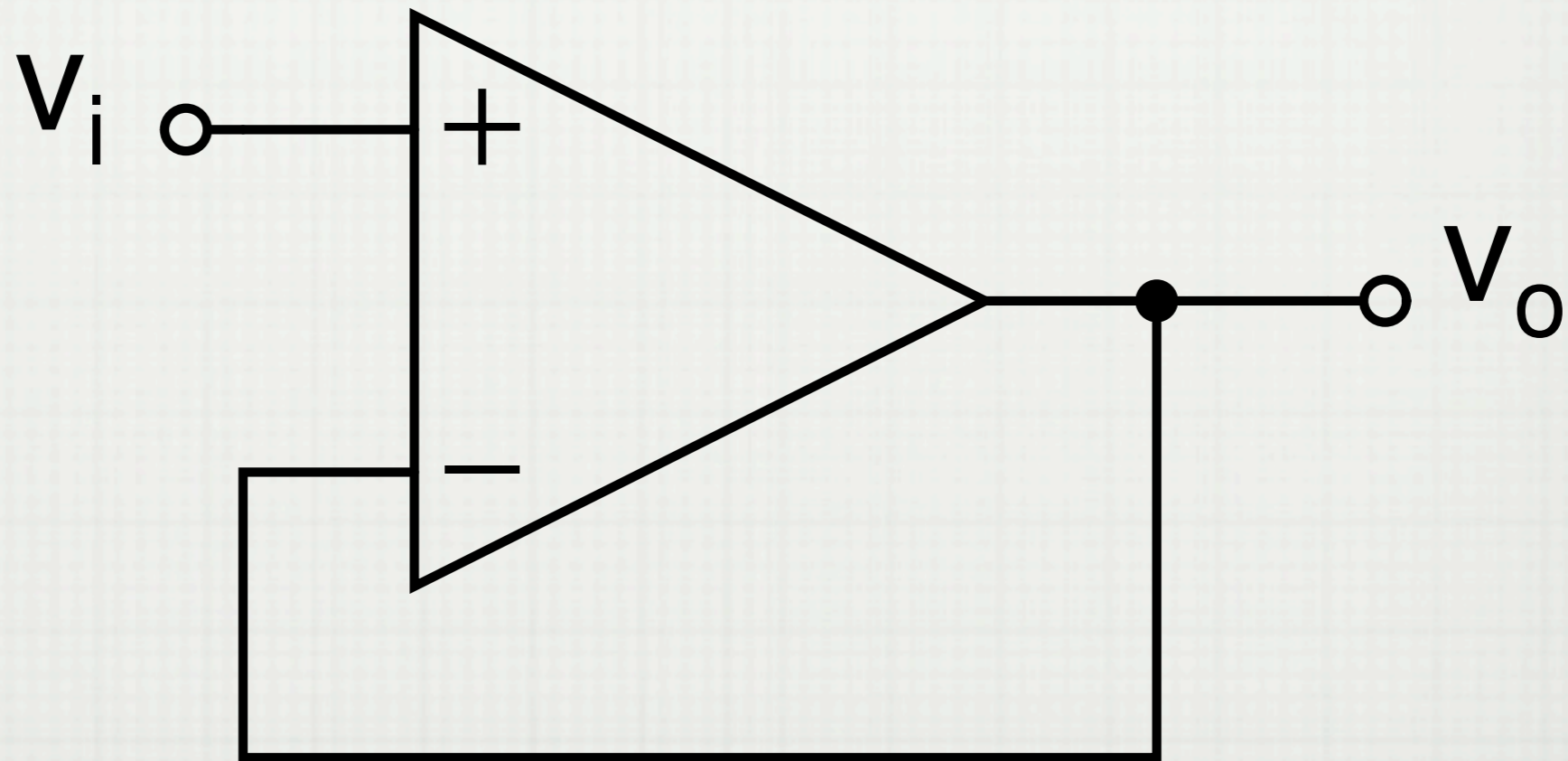
# NON-INVERTING AMPLIFIER

---

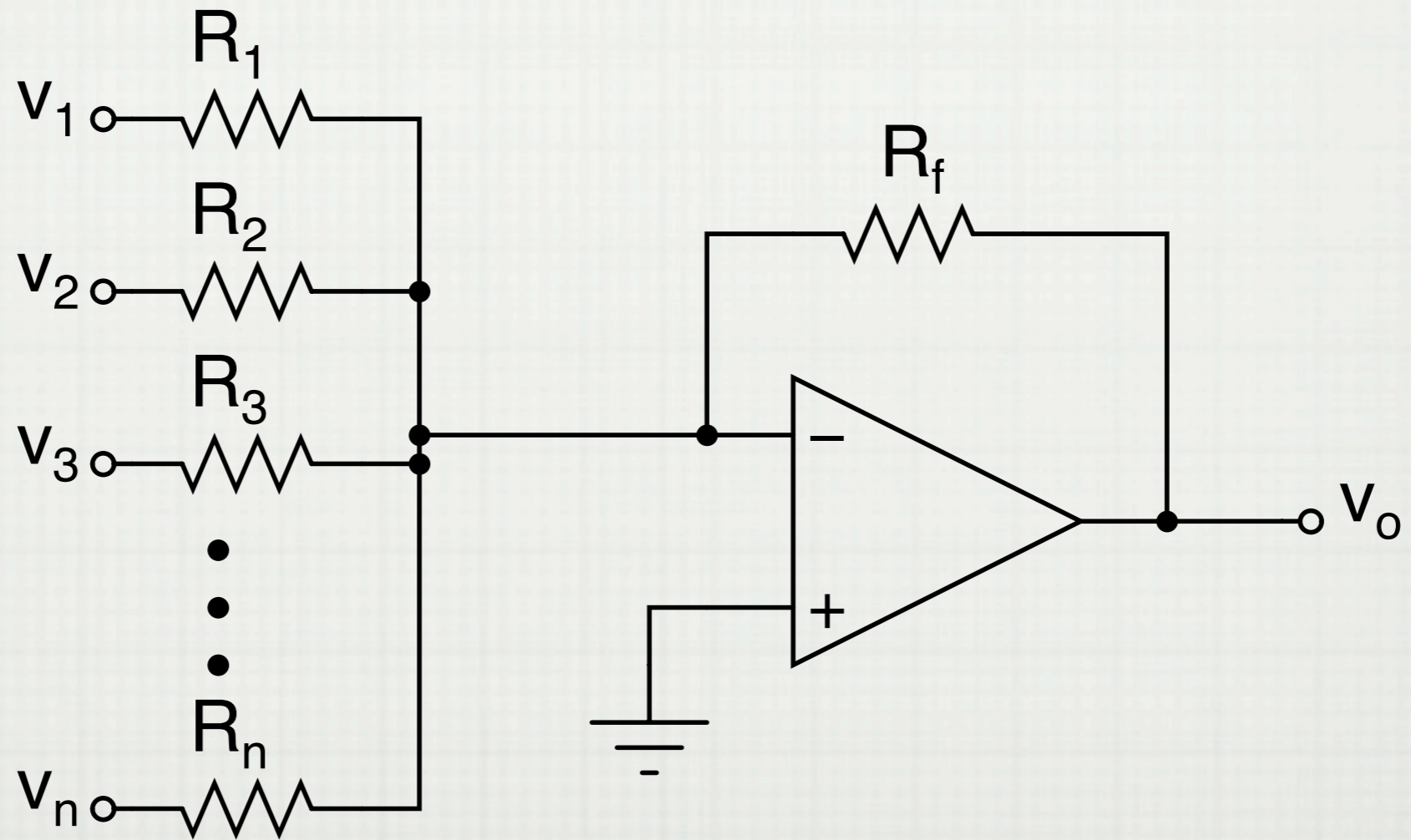


# BUFFER AMPLIFIER

---

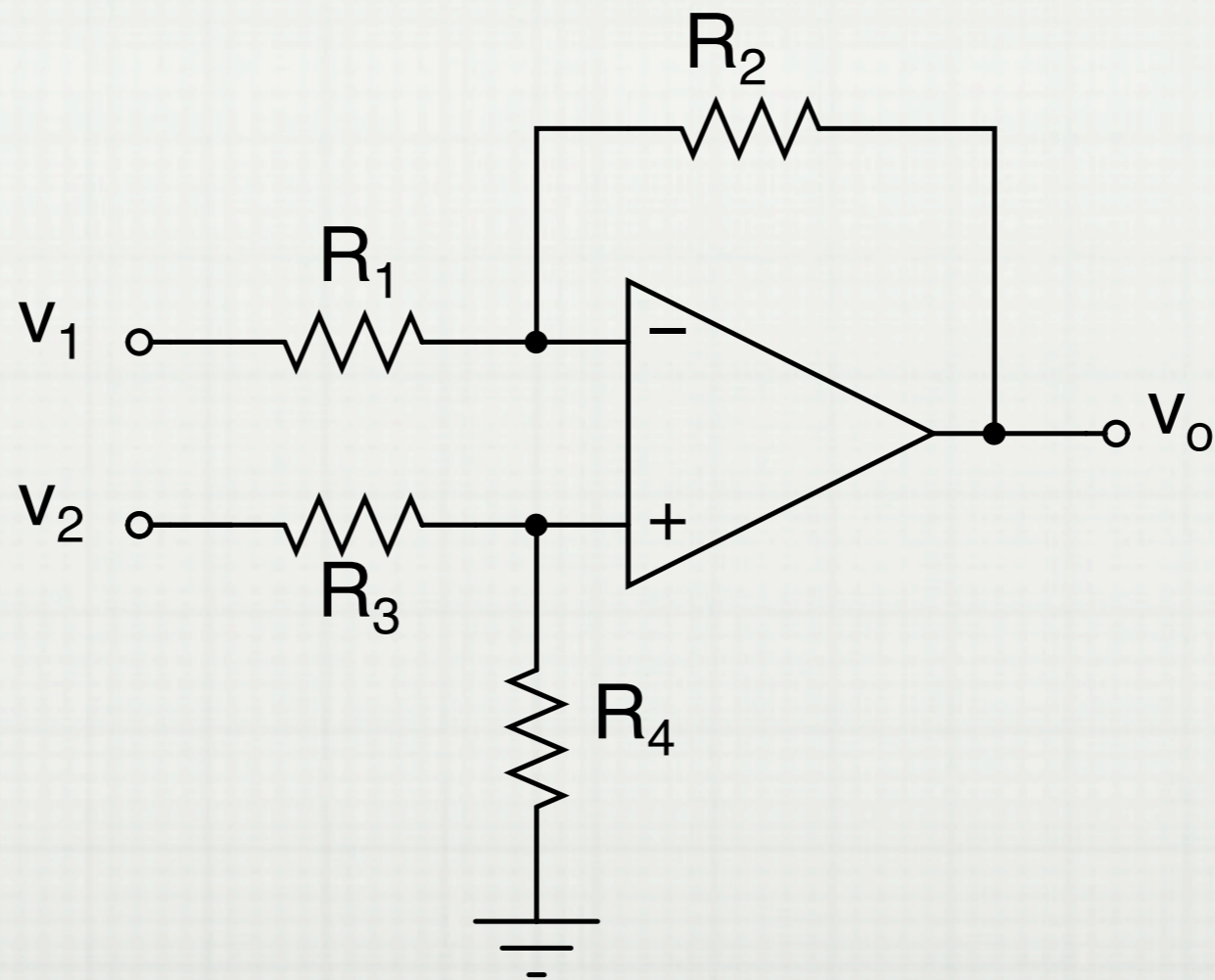


# SUMMING AMPLIFIER



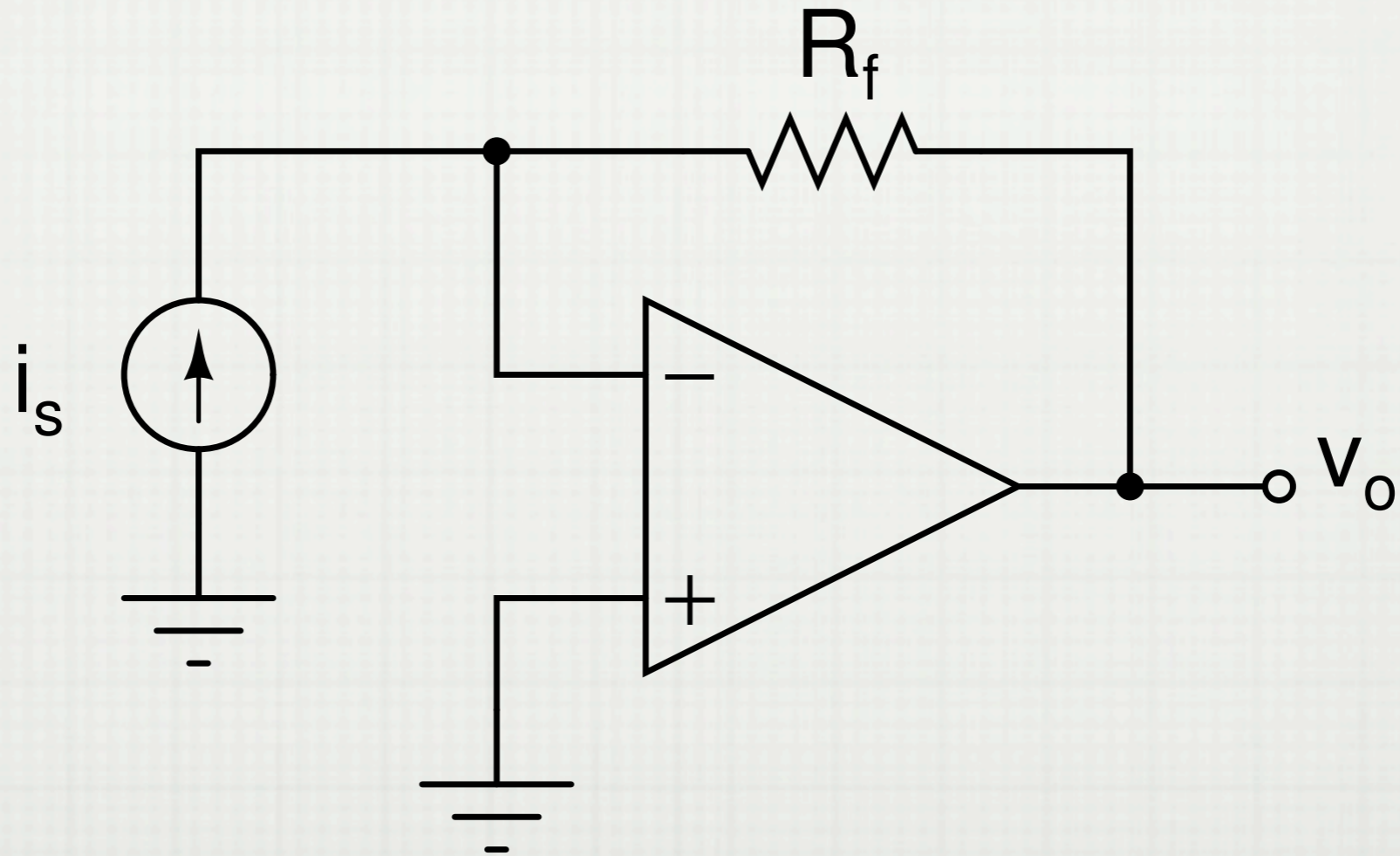
# DIFFERENCE AMPLIFIER

---

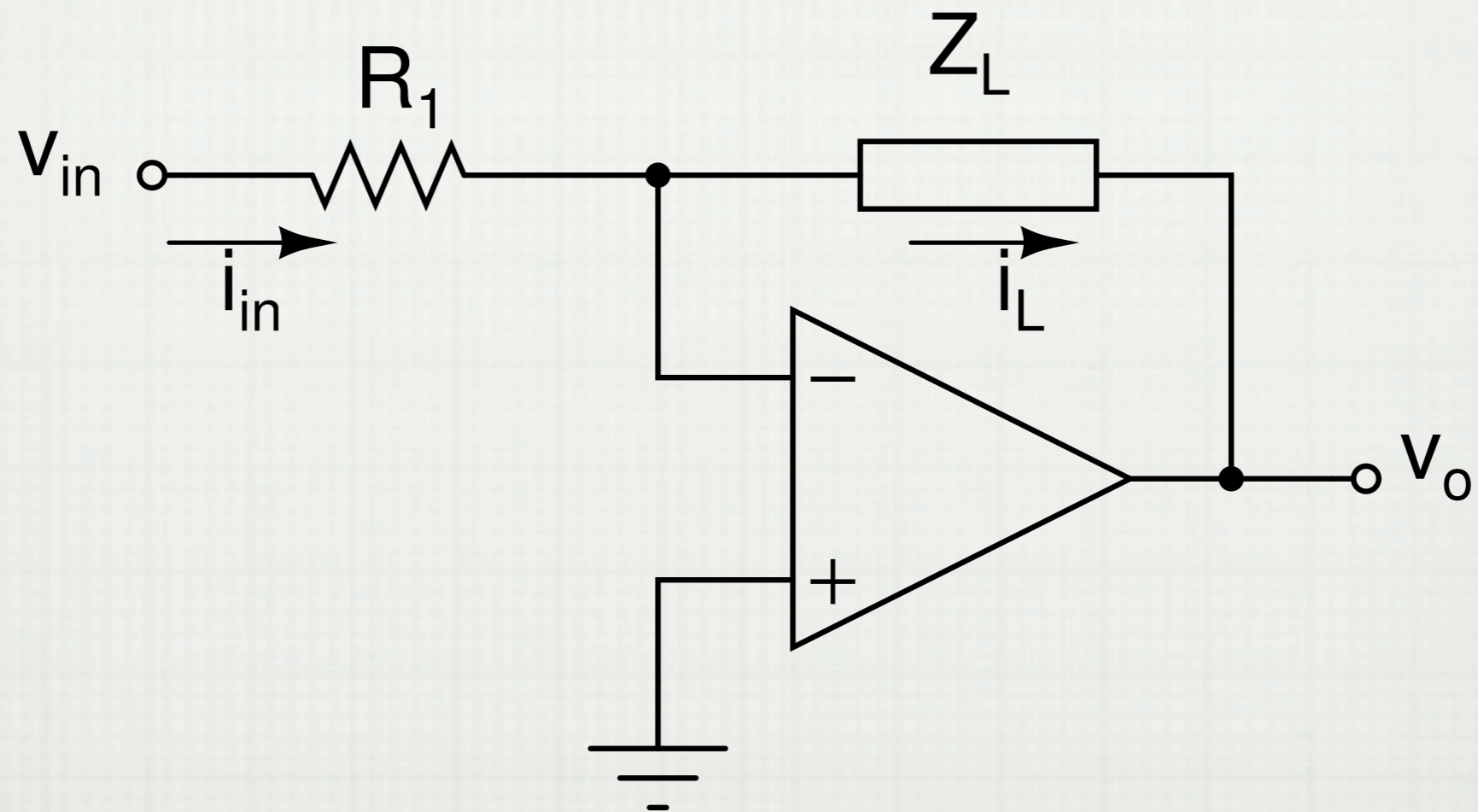


# I-V CONVERTER

---

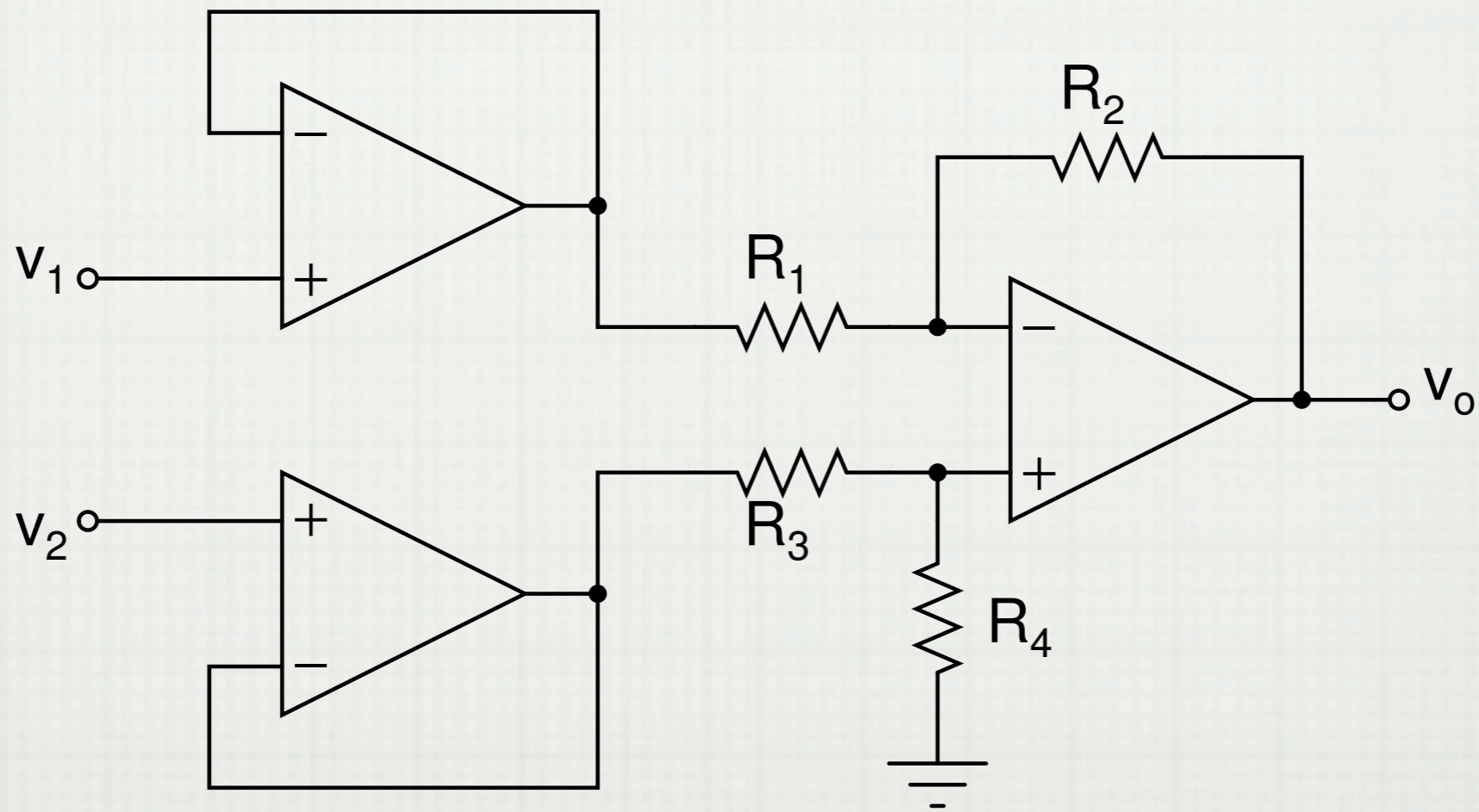


# V-I CONVERTER

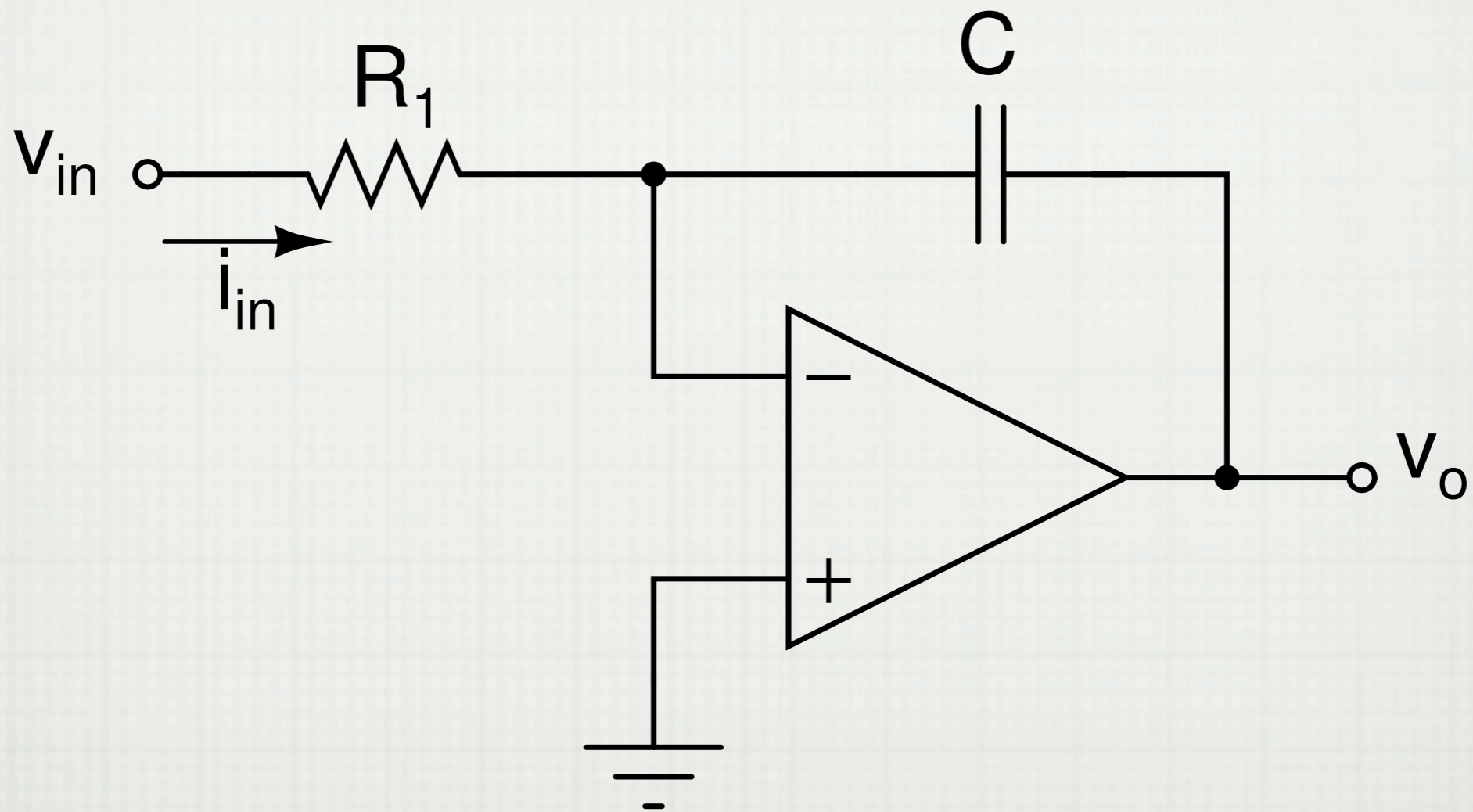


# INSTRUMENTATION AMPLIFIER

---

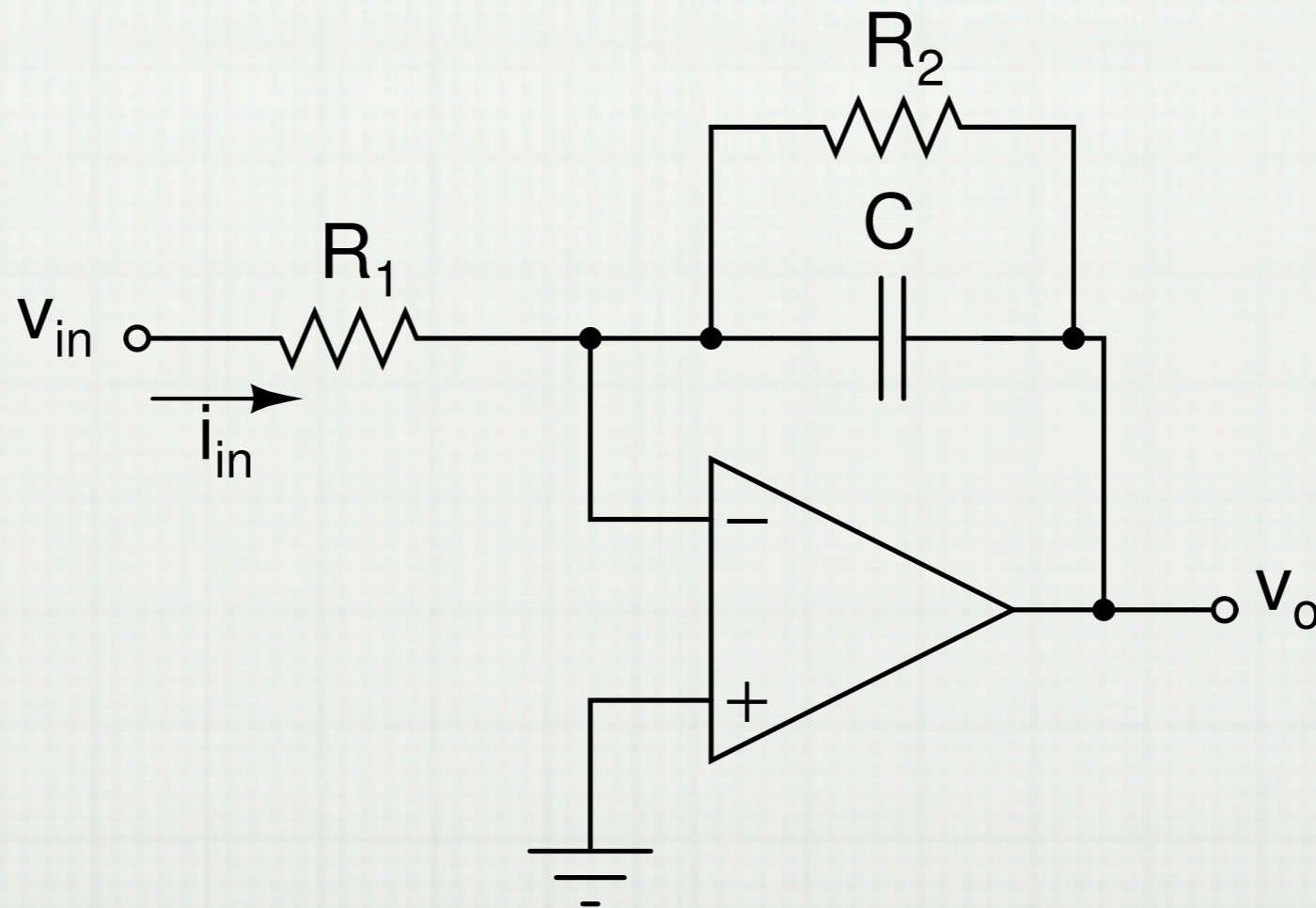


# INTEGRATOR



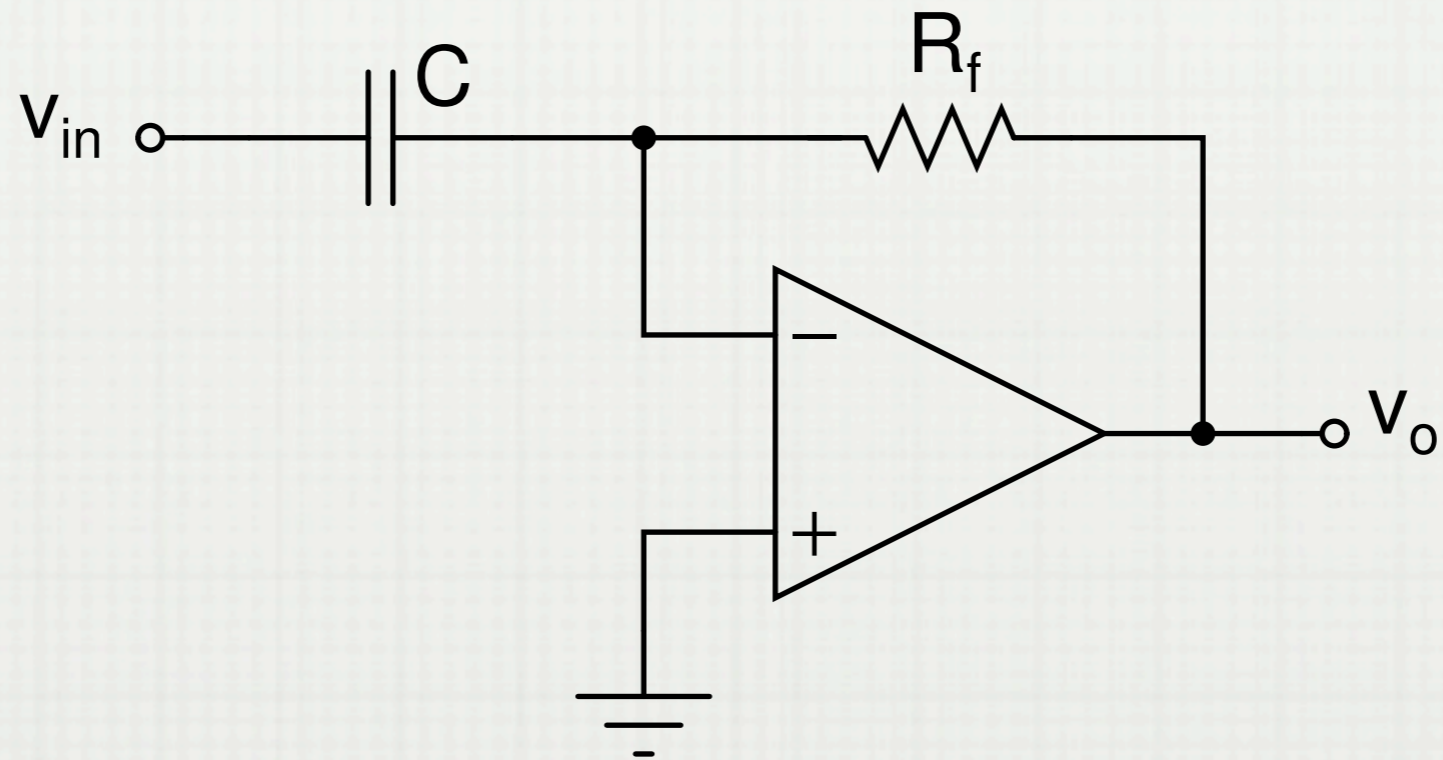
# LOW-PASS FILTER

---



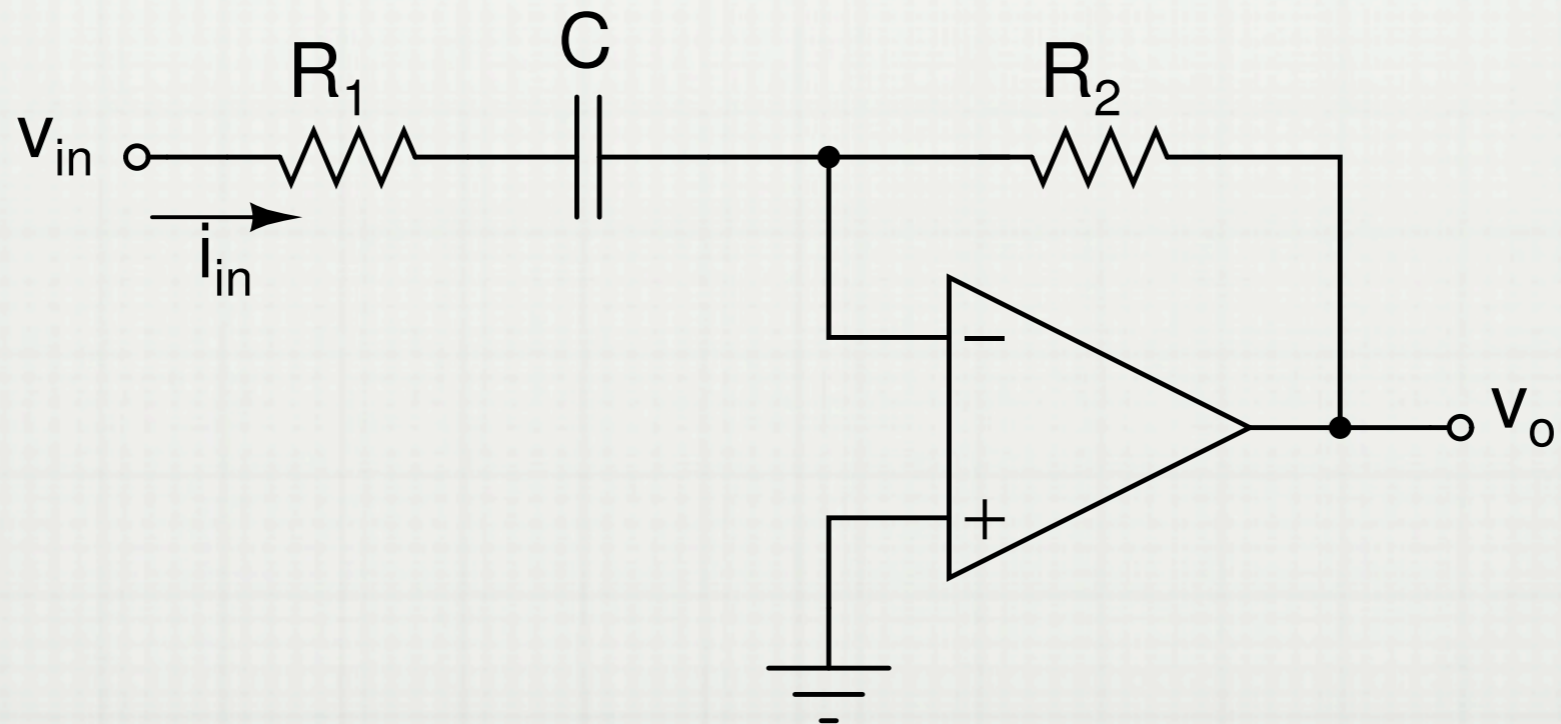
# DIFFERENTIATOR

---



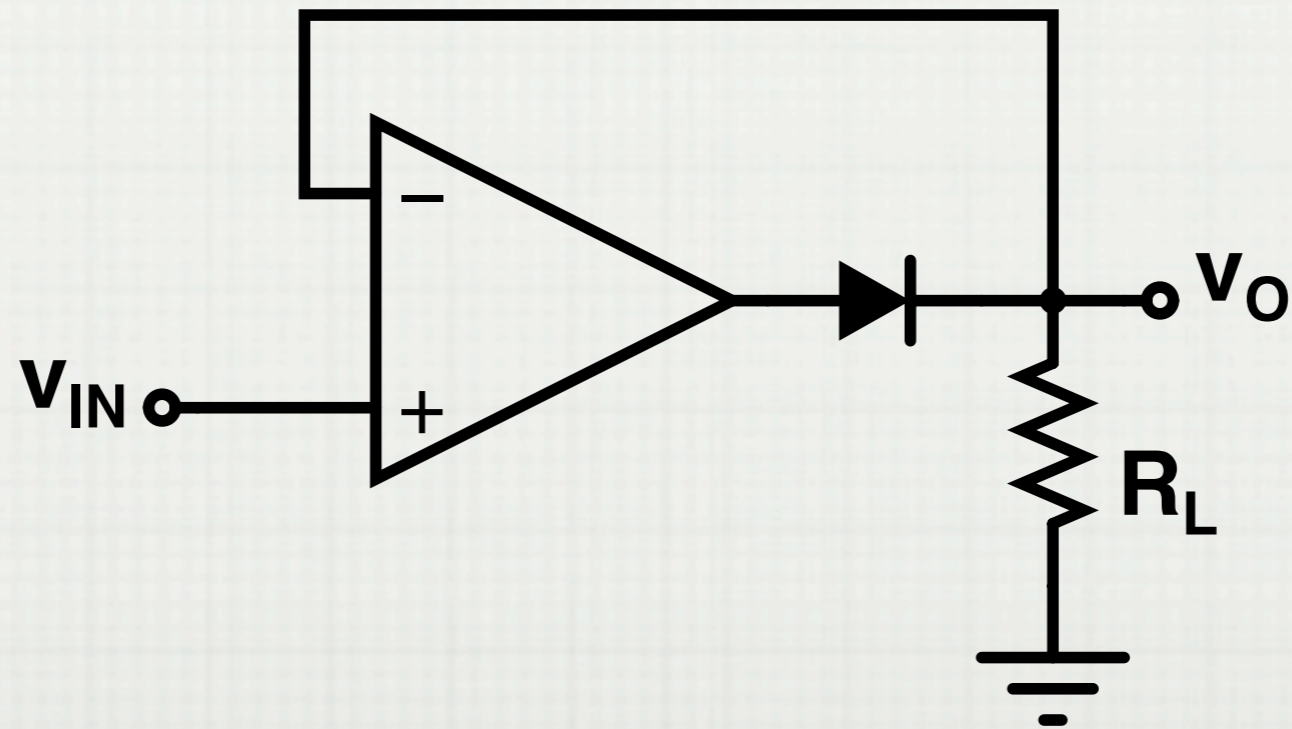
# HIGH-PASS FILTER

---



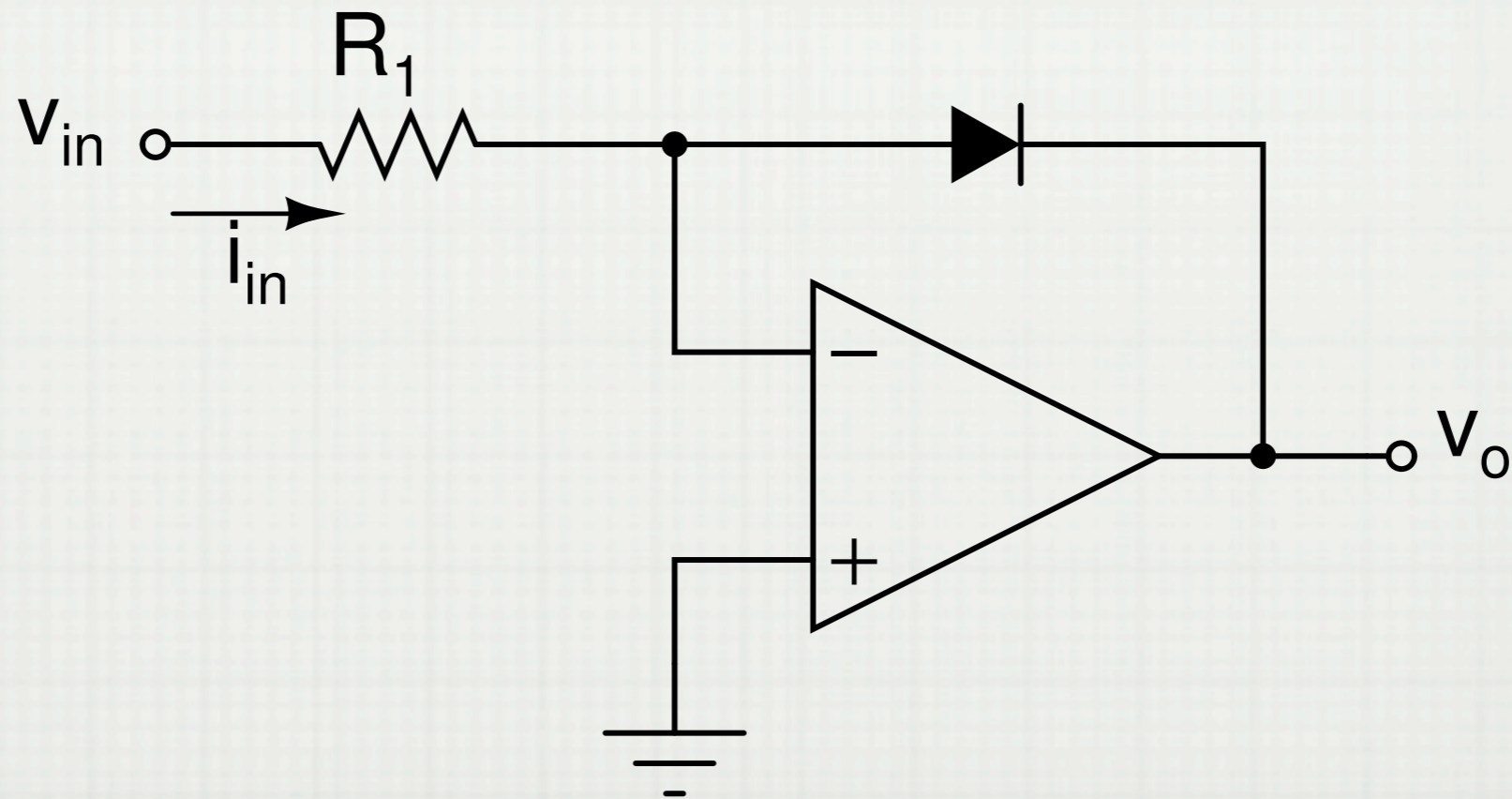
# PRECISION RECTIFIER

---



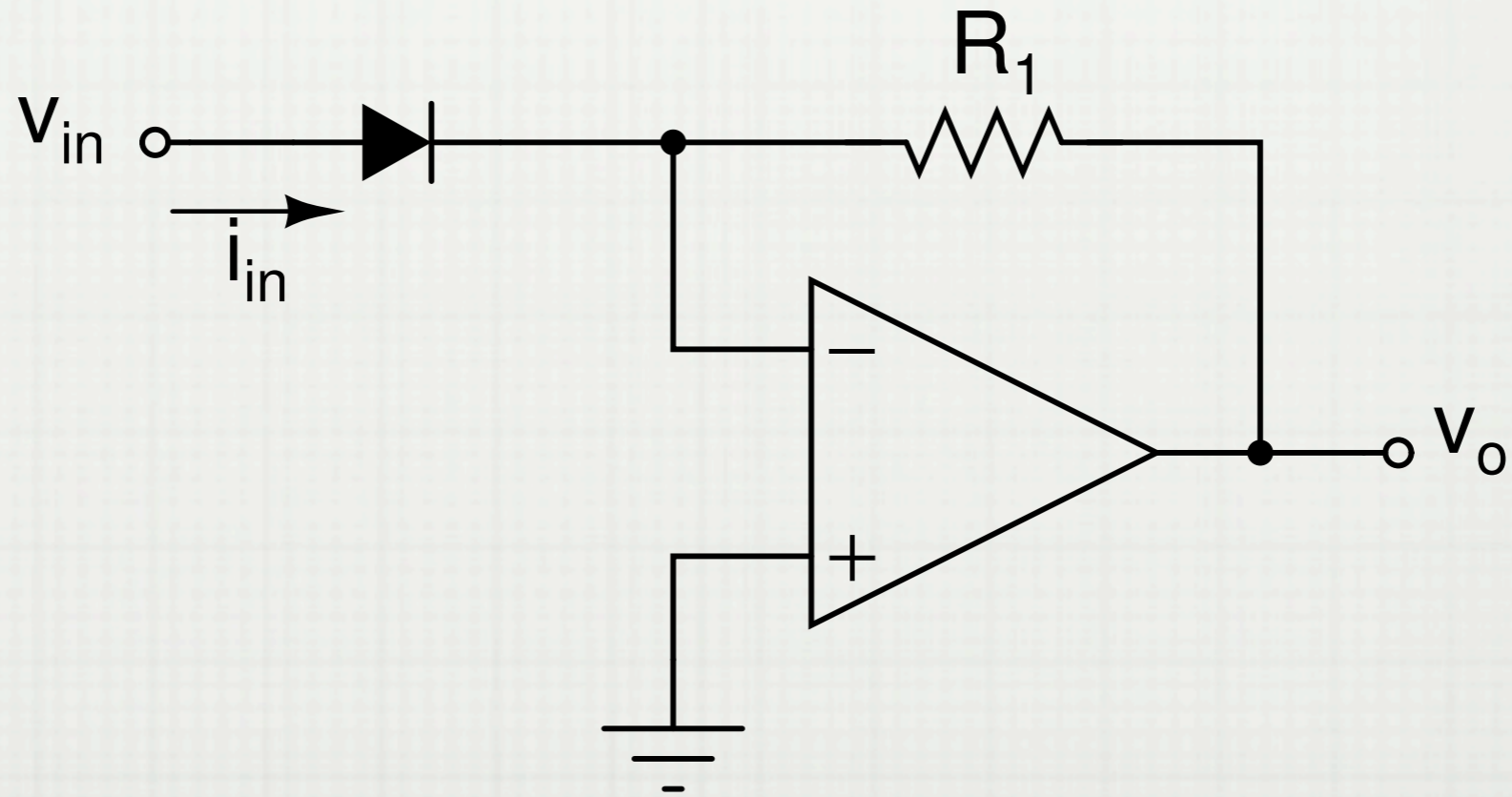
# SIMPLE LOG CONVERTER

---

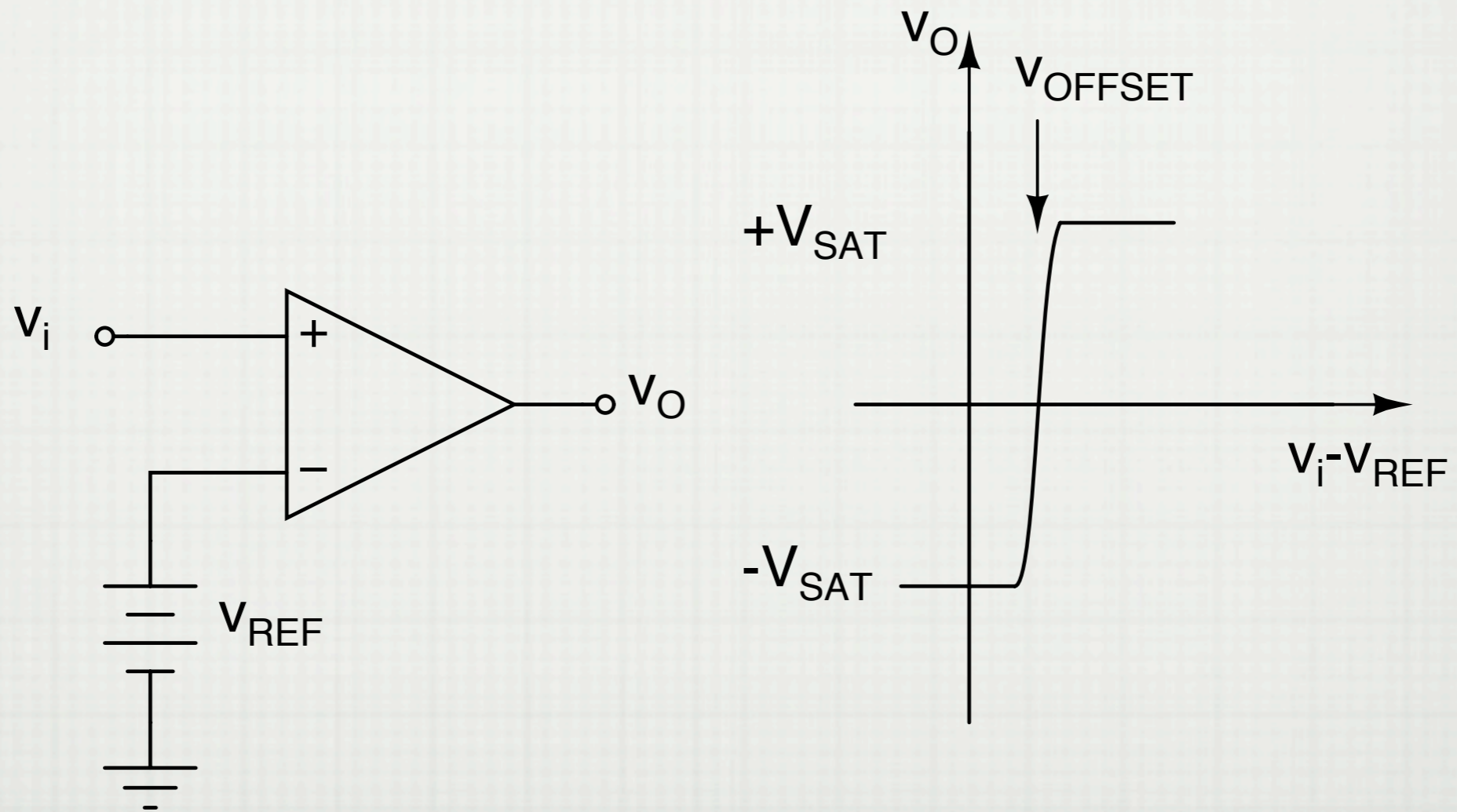


# ANTILOG CONVERTER

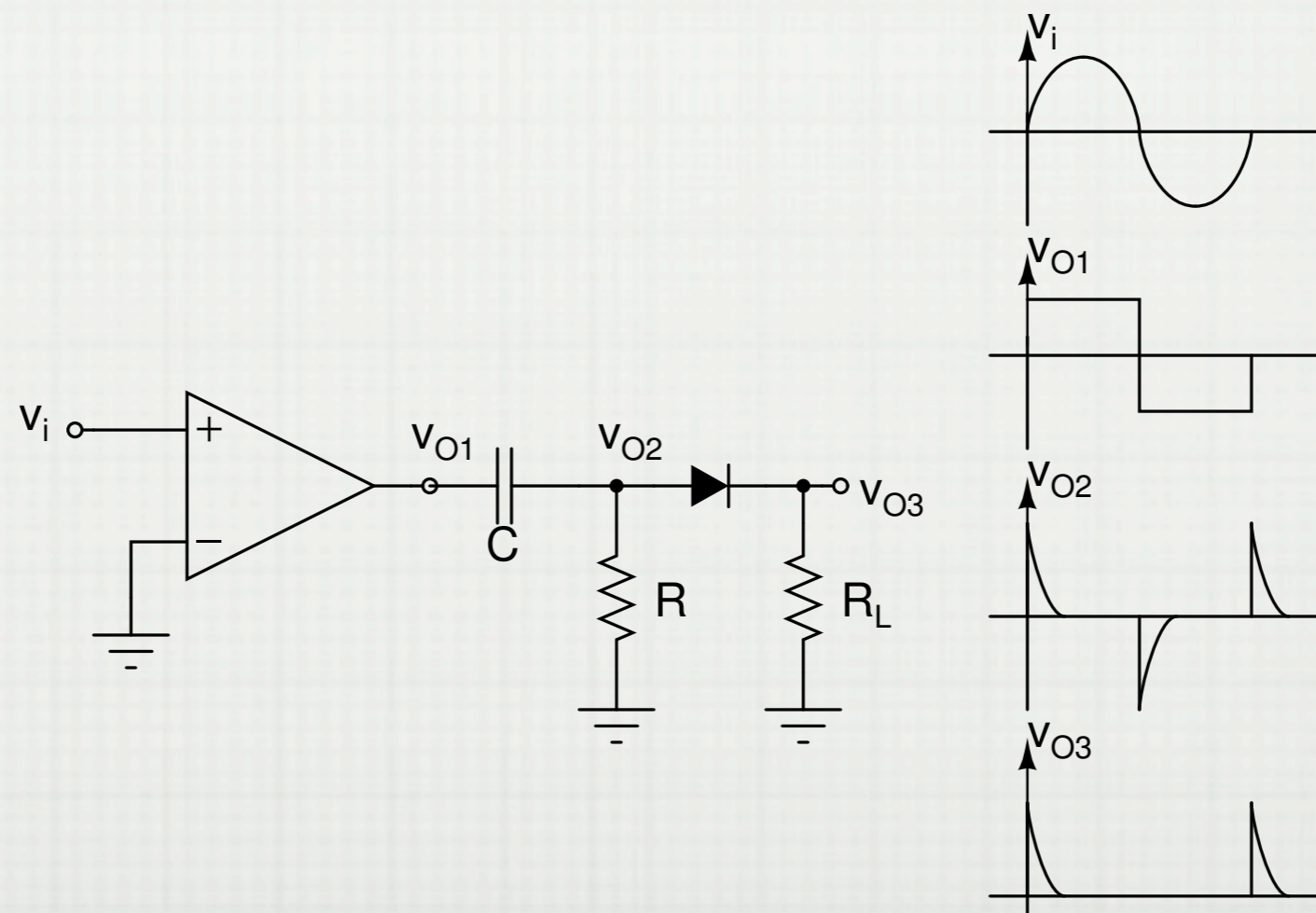
---



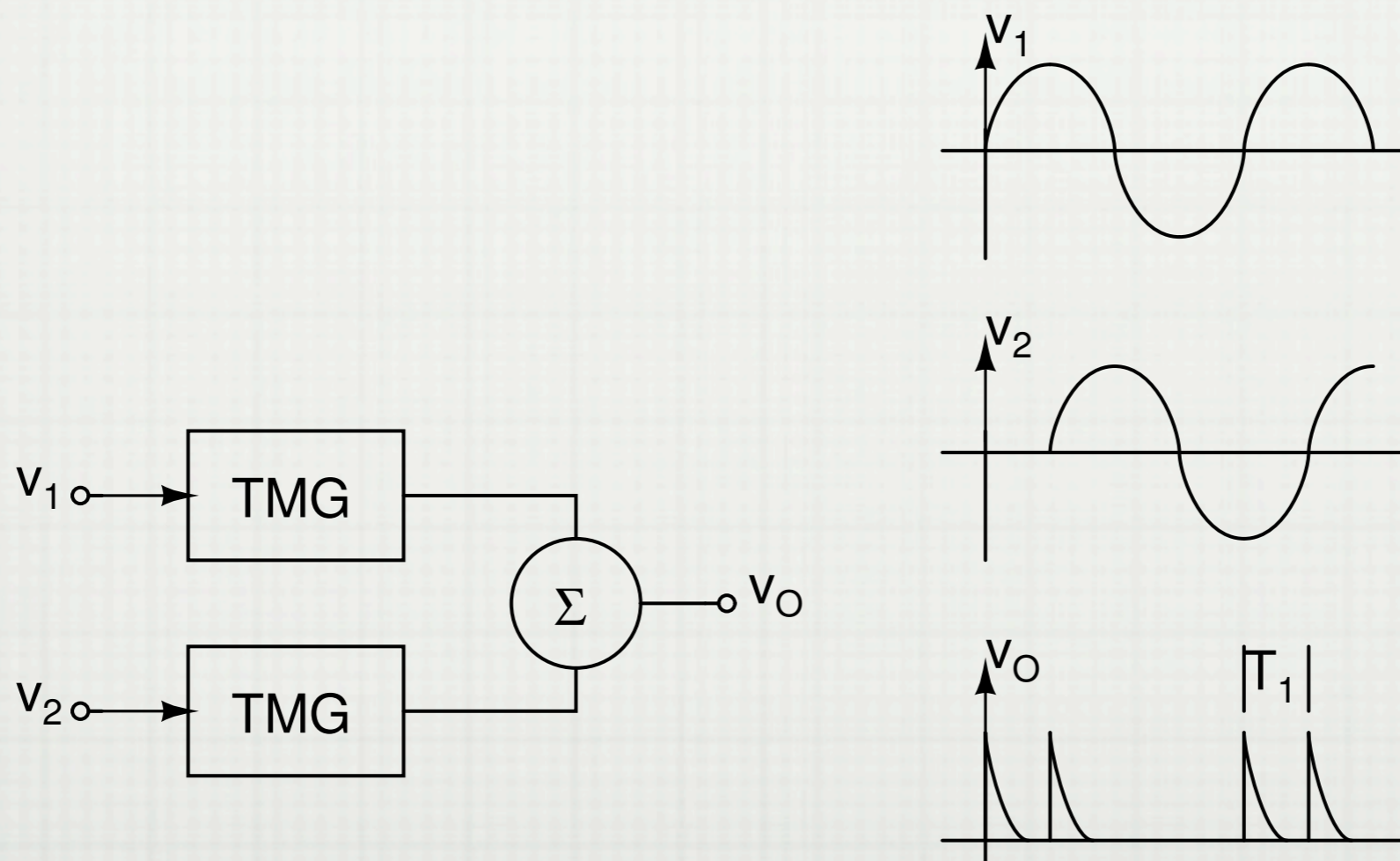
# COMPARATOR



# ZERO-CROSSING DETECTOR



# PHASE METER



# SQUARE-WAVE GENERATOR

