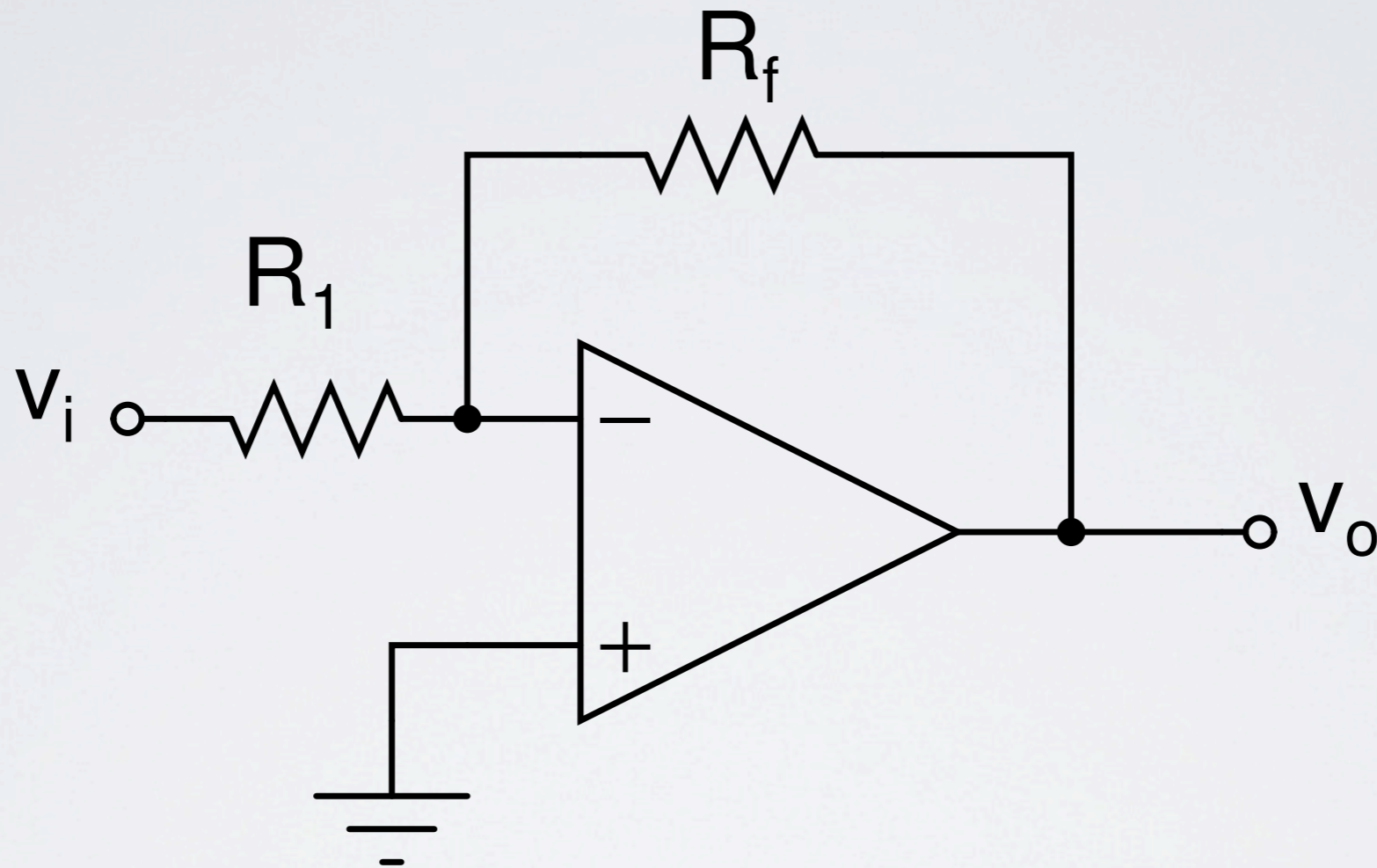


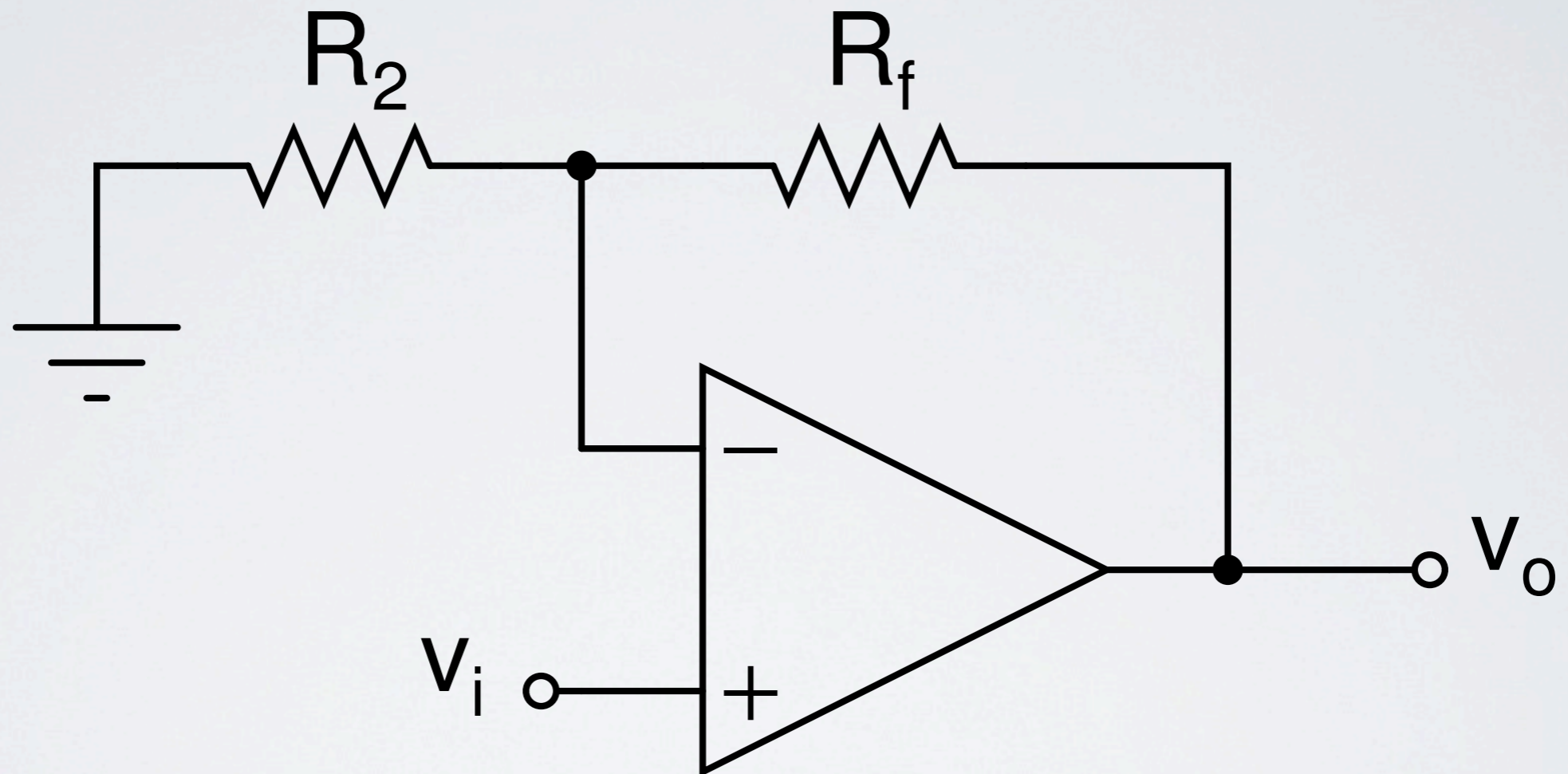
OP-AMP APPLICATIONS

INEL 4202 - Electronics II

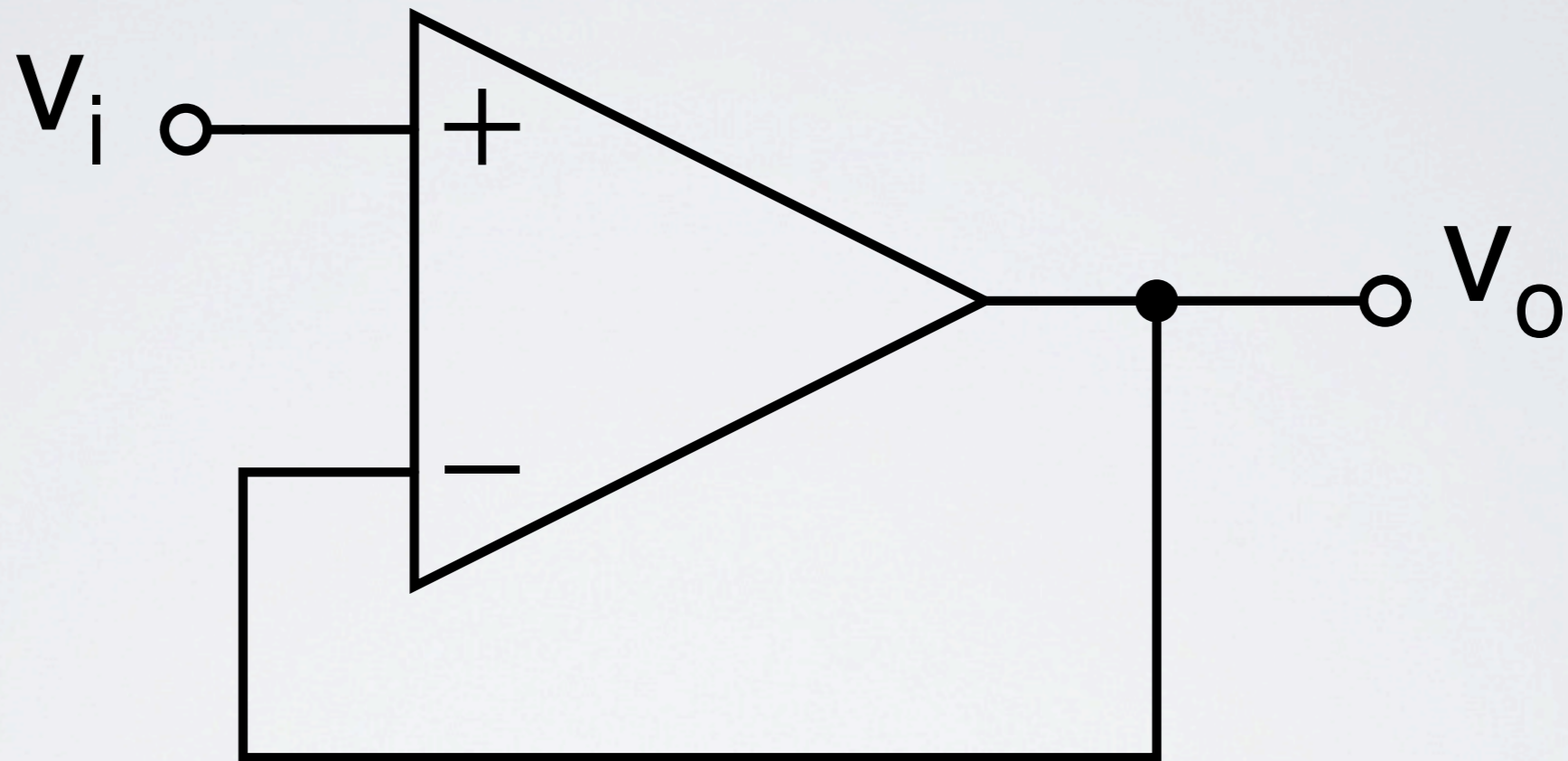
INVERTING AMPLIFIER



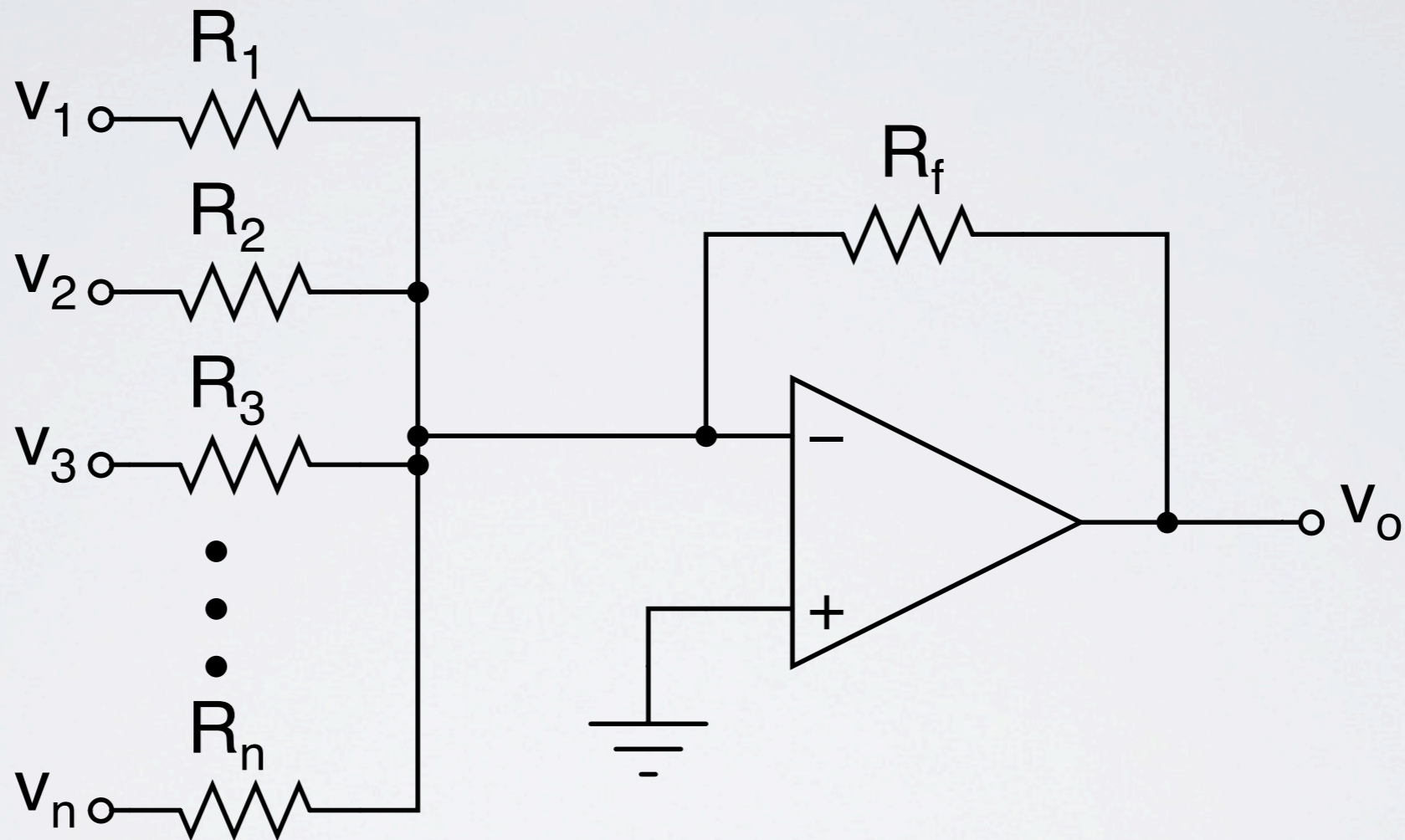
NON-INVERTING AMPLIFIER



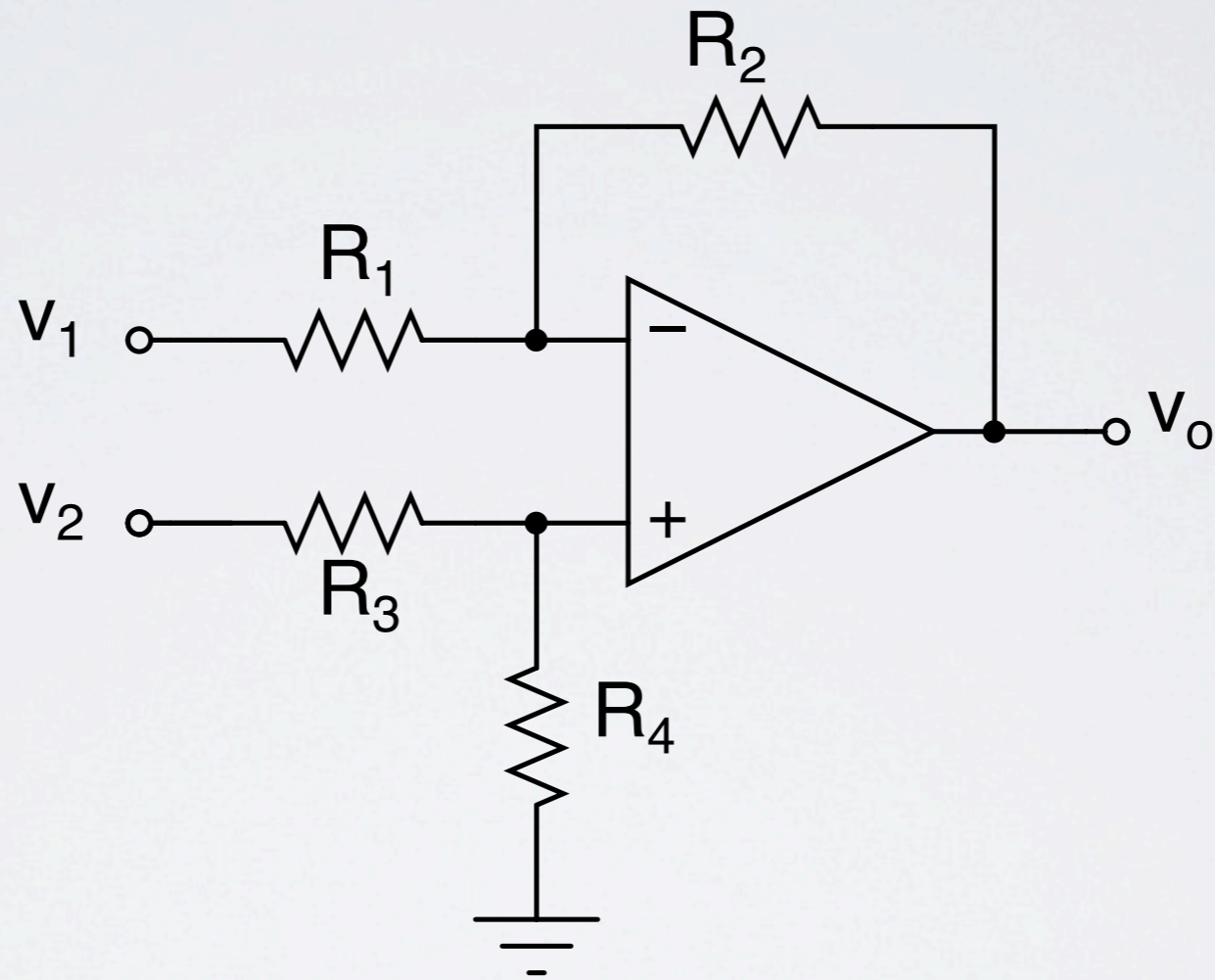
BUFFER AMPLIFIER



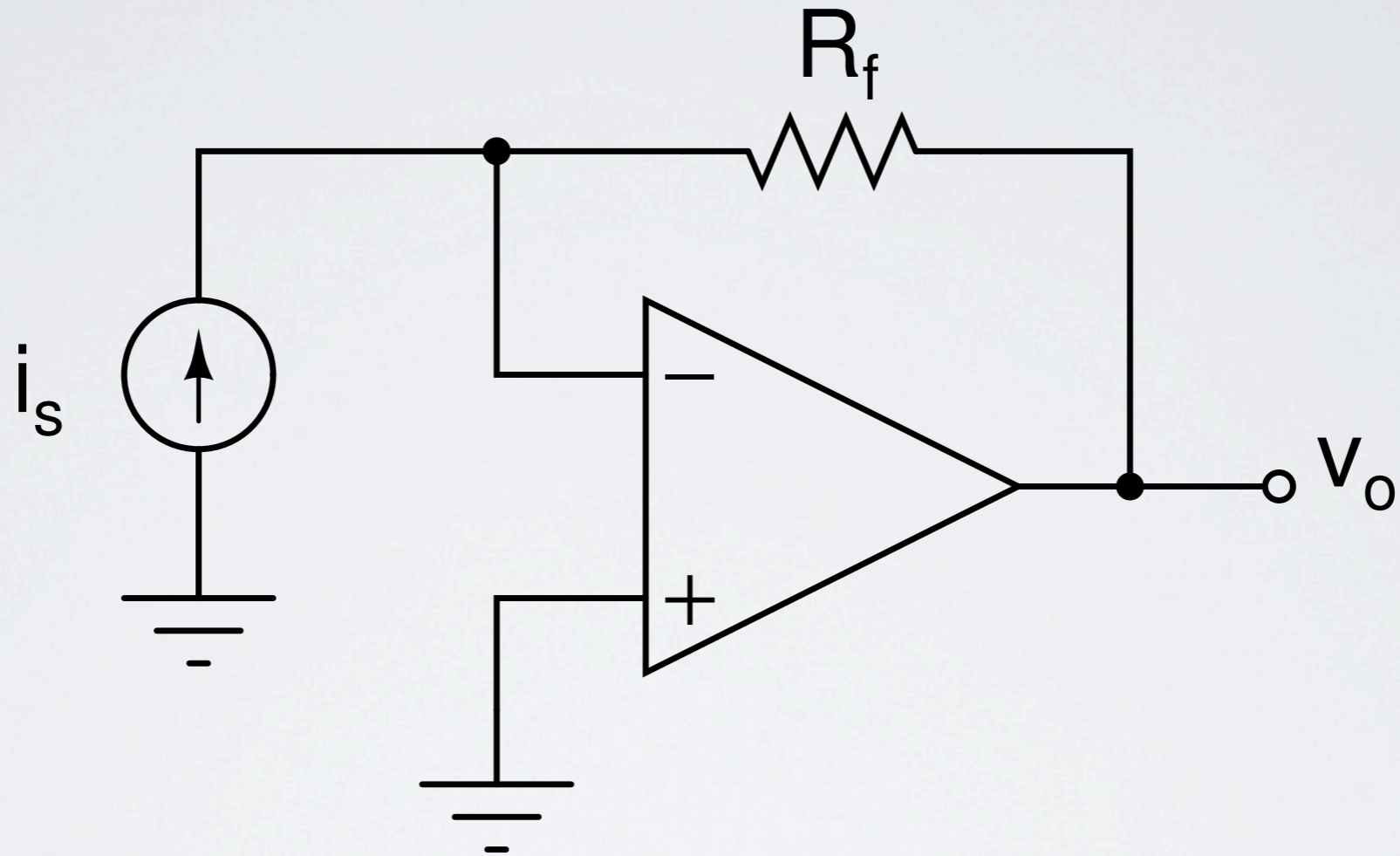
SUMMING AMPLIFIER



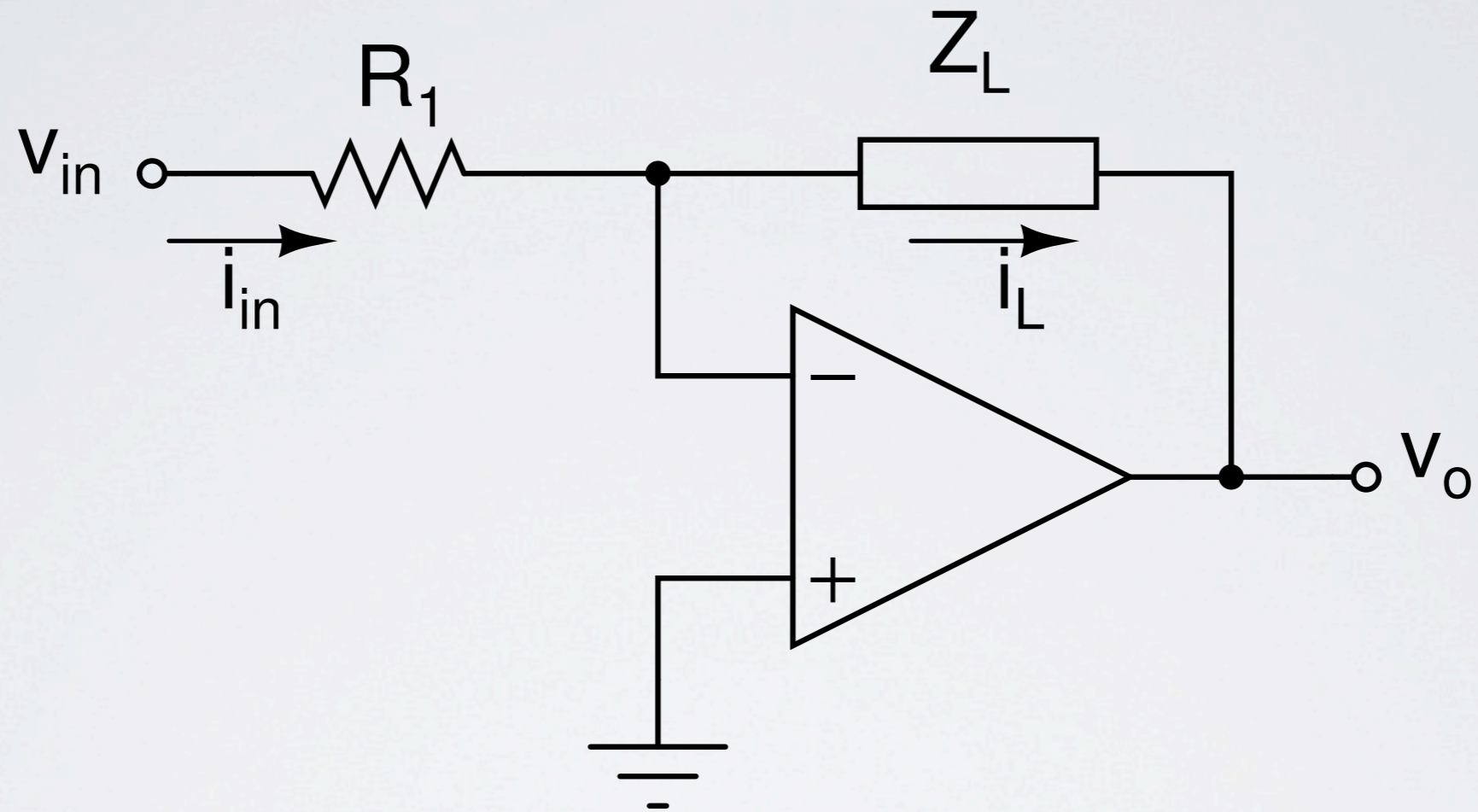
DIFFERENCE AMPLIFIER



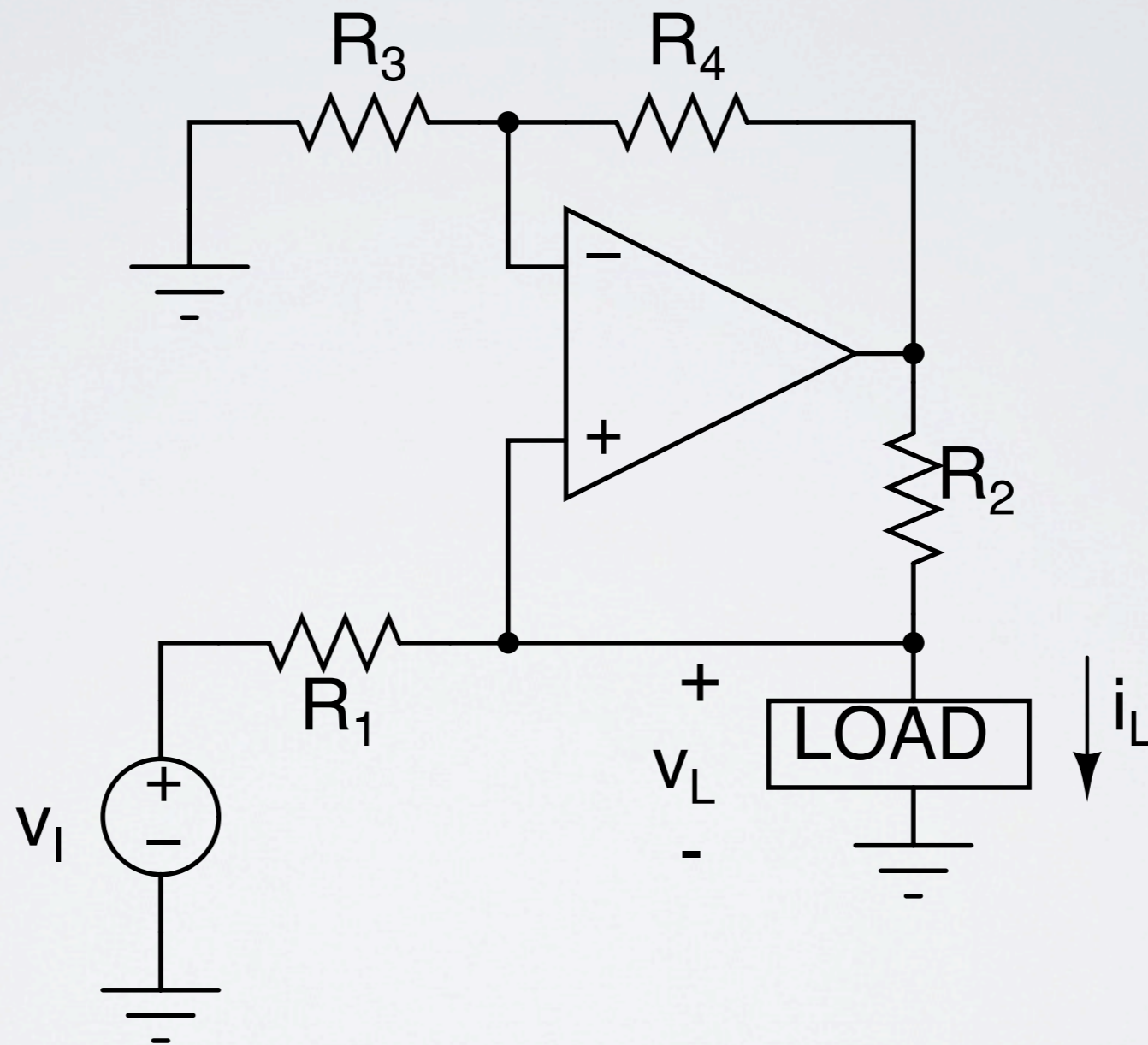
I-V CONVERTER



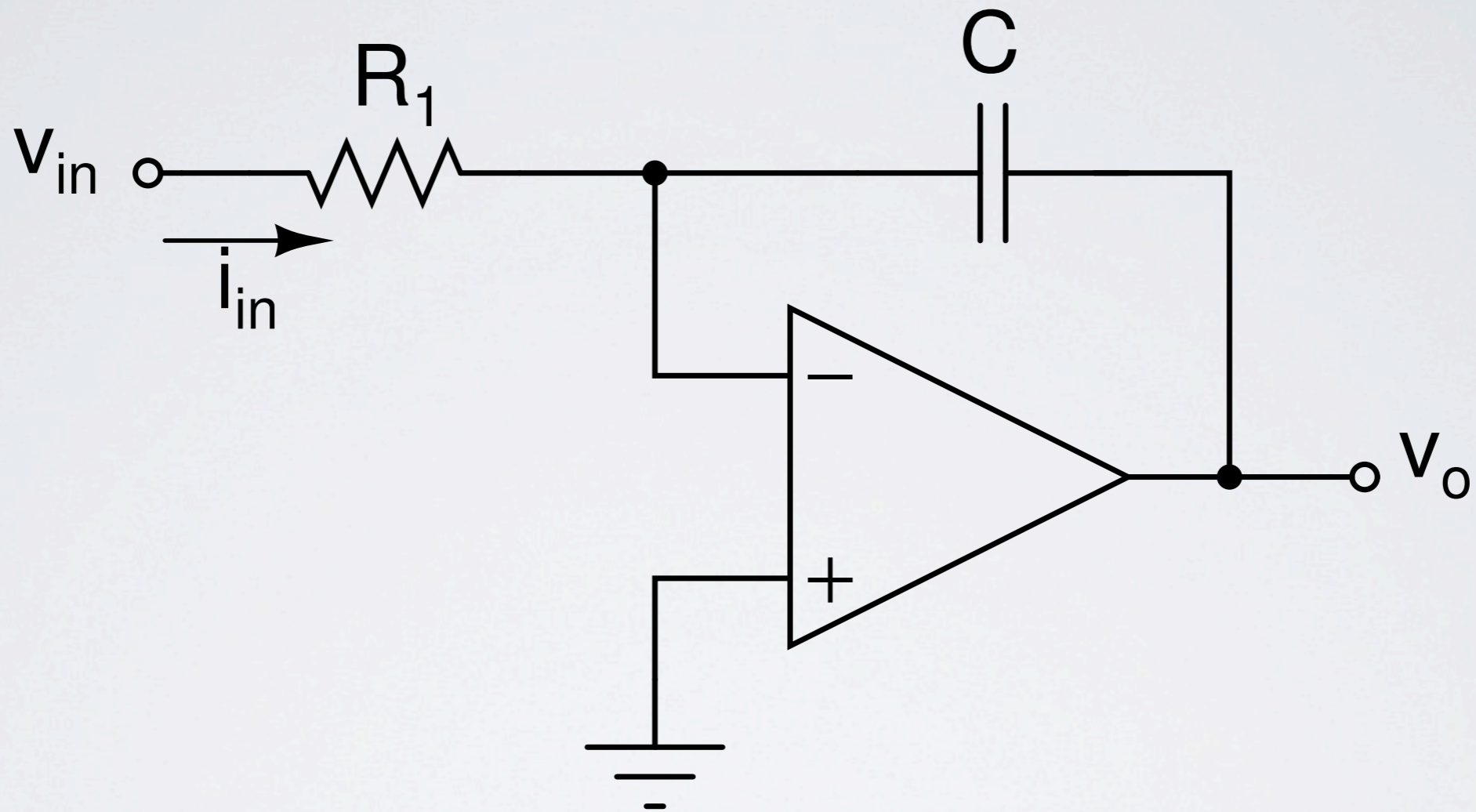
V-I CONVERTER



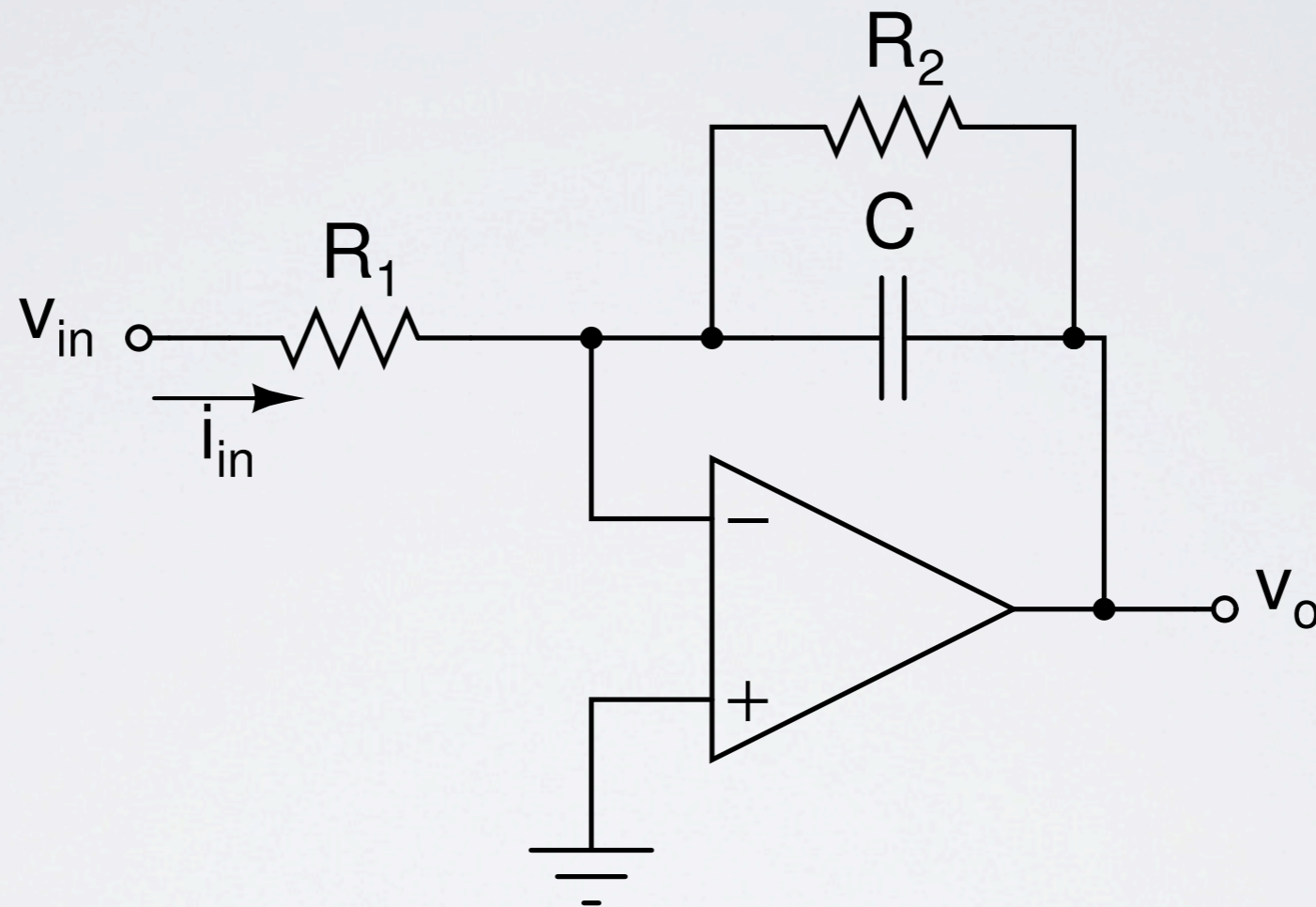
HOWLAND CURRENT PUMP



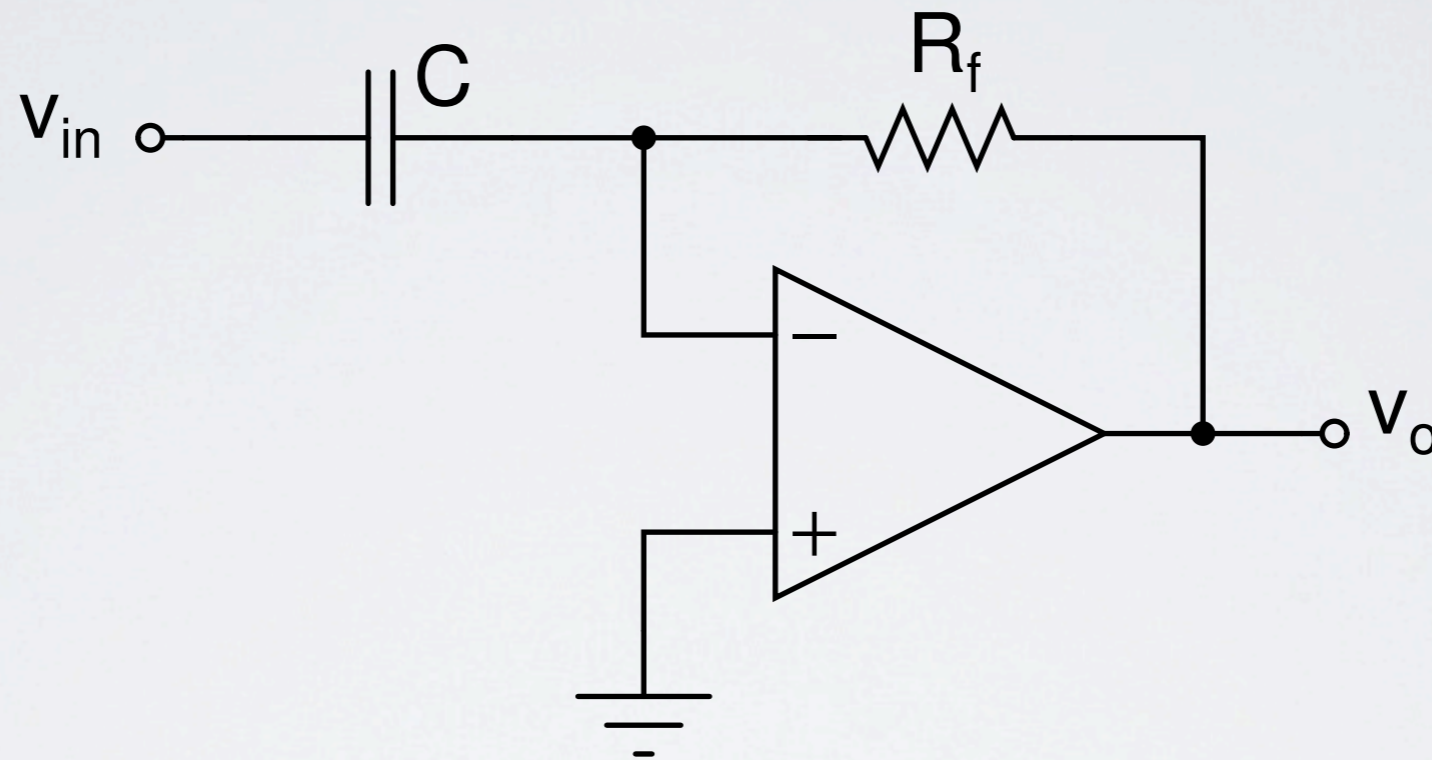
INTEGRATOR



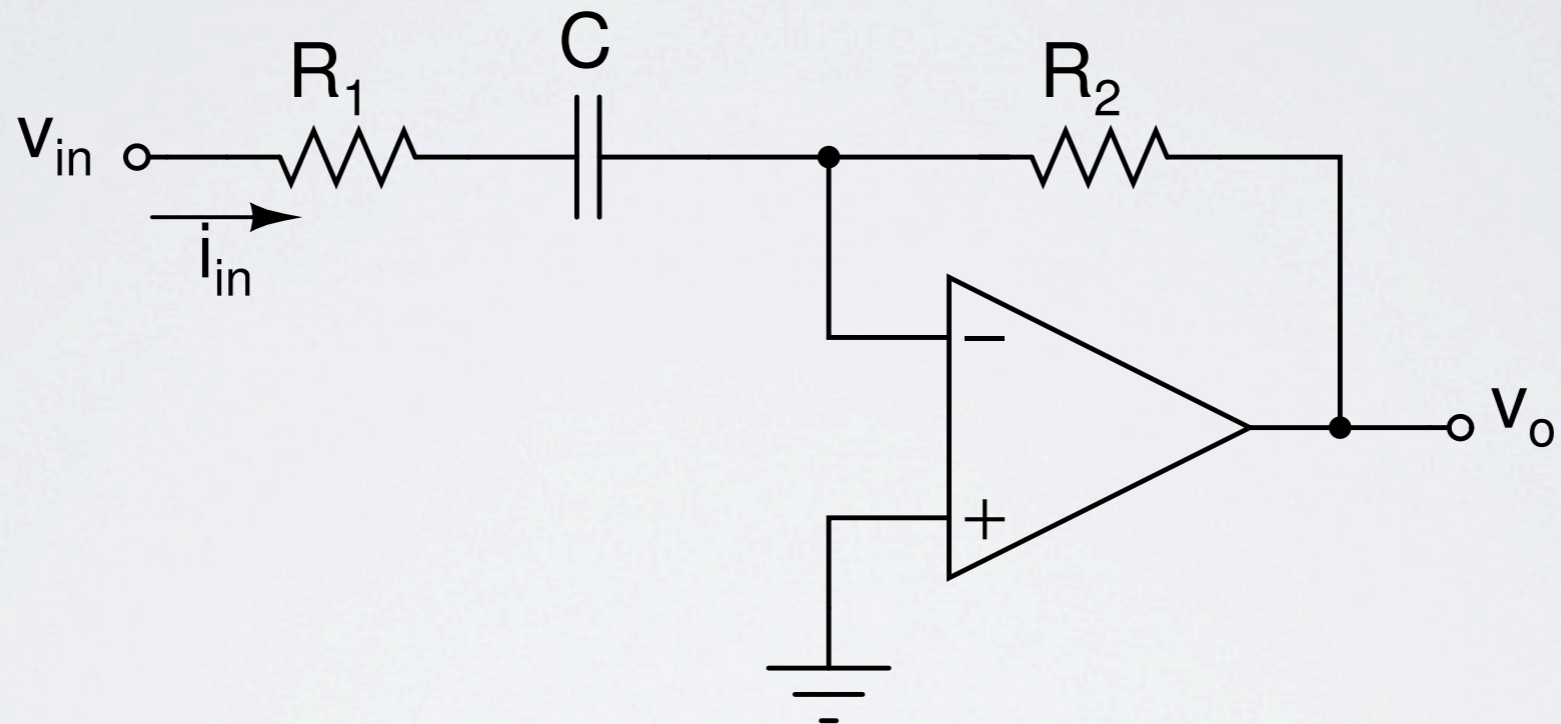
LOW-PASS FILTER



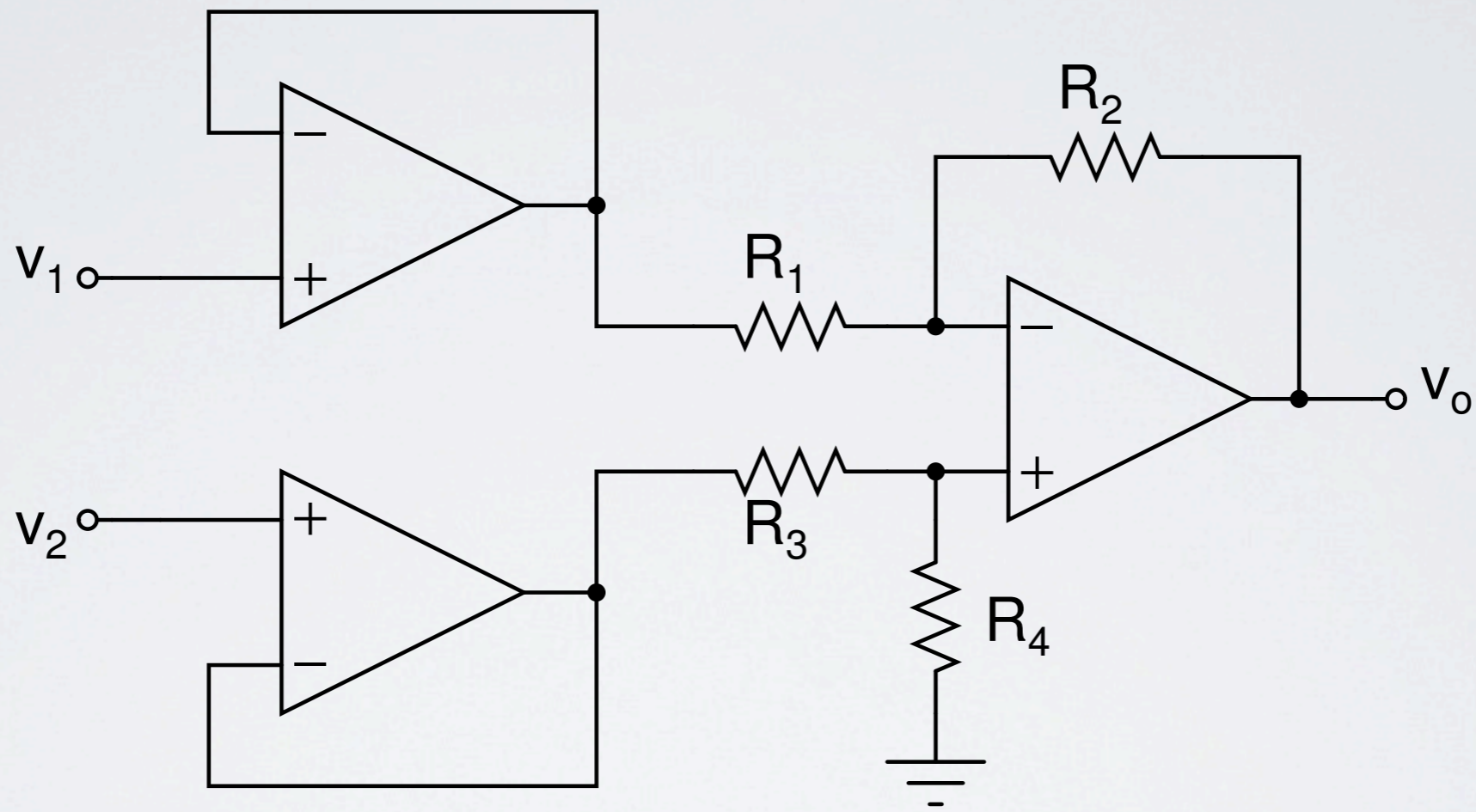
DIFFERENTIATOR



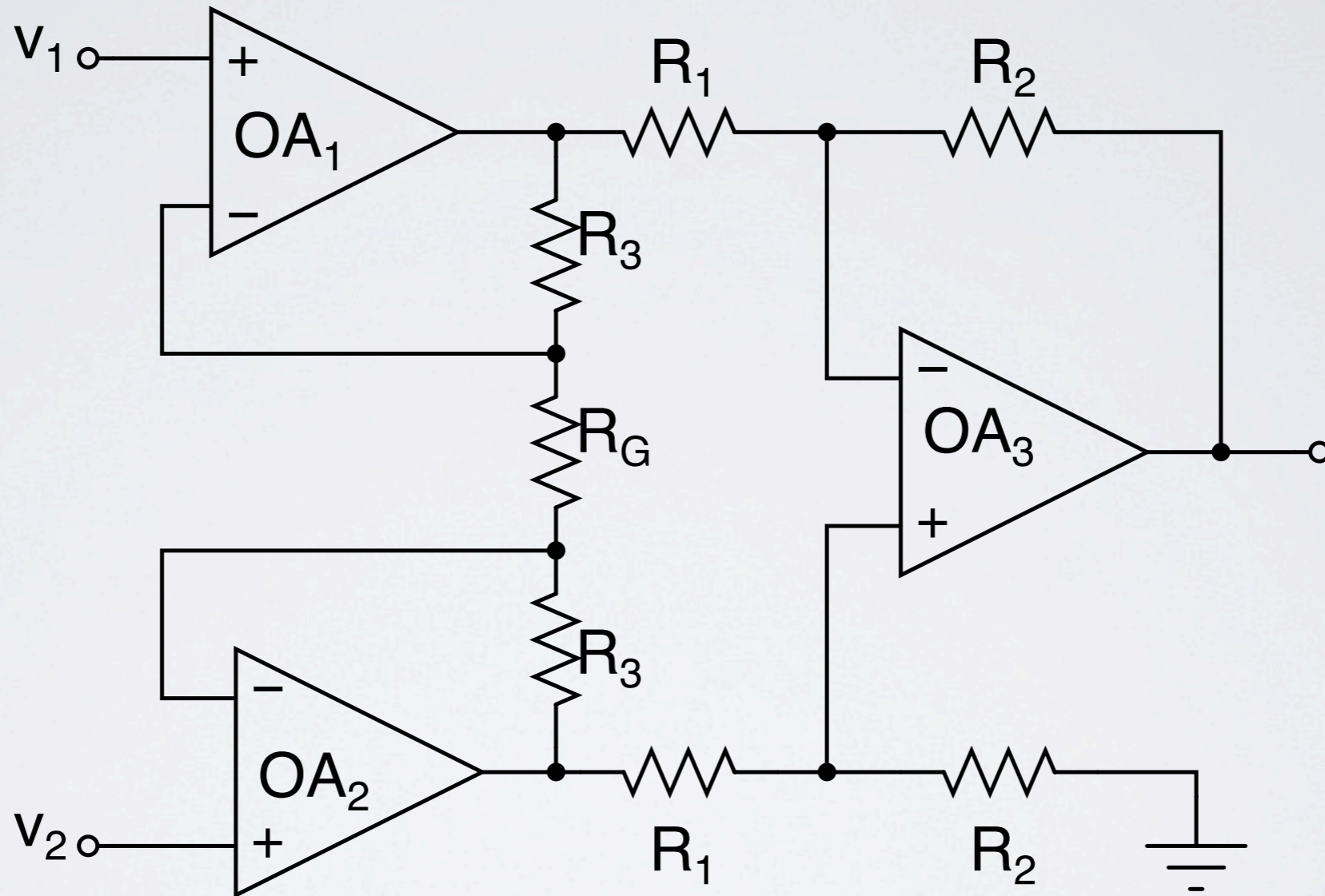
HIGH-PASS FILTER



INSTRUMENTATION AMPLIFIER

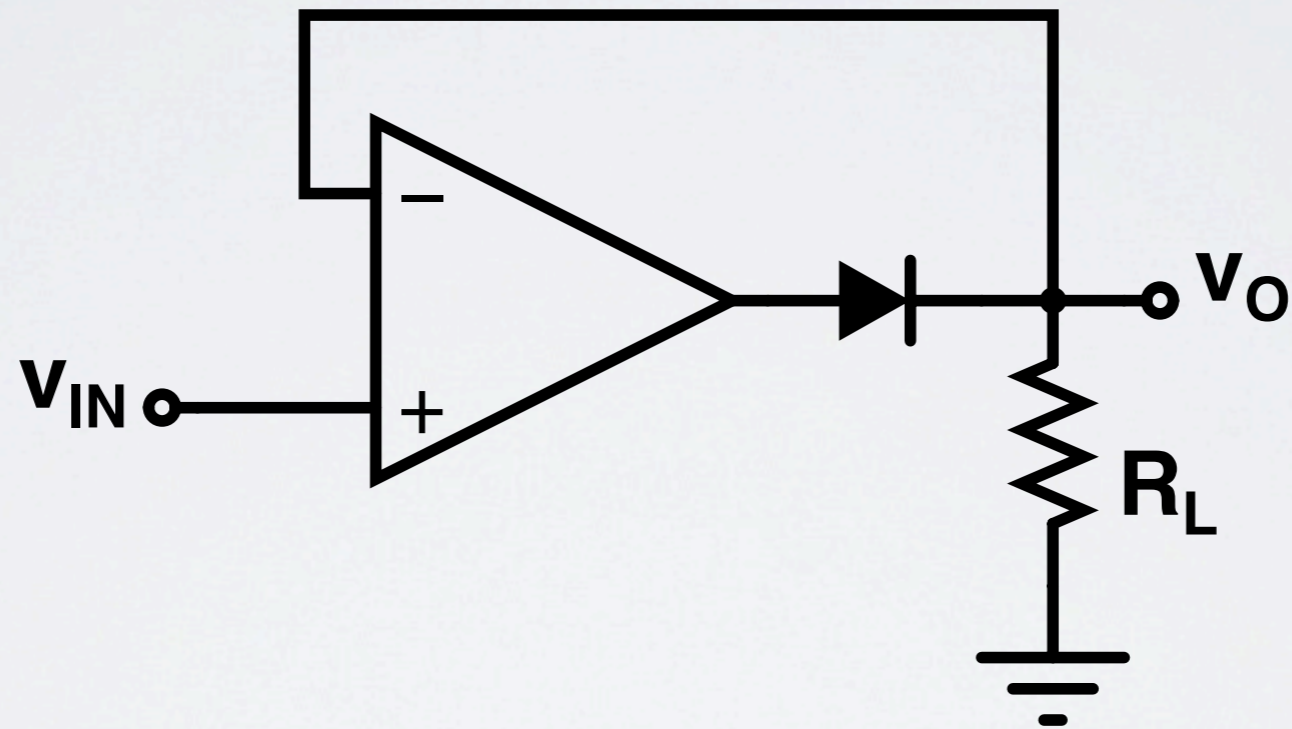


TRIPLE-OPAMP IA

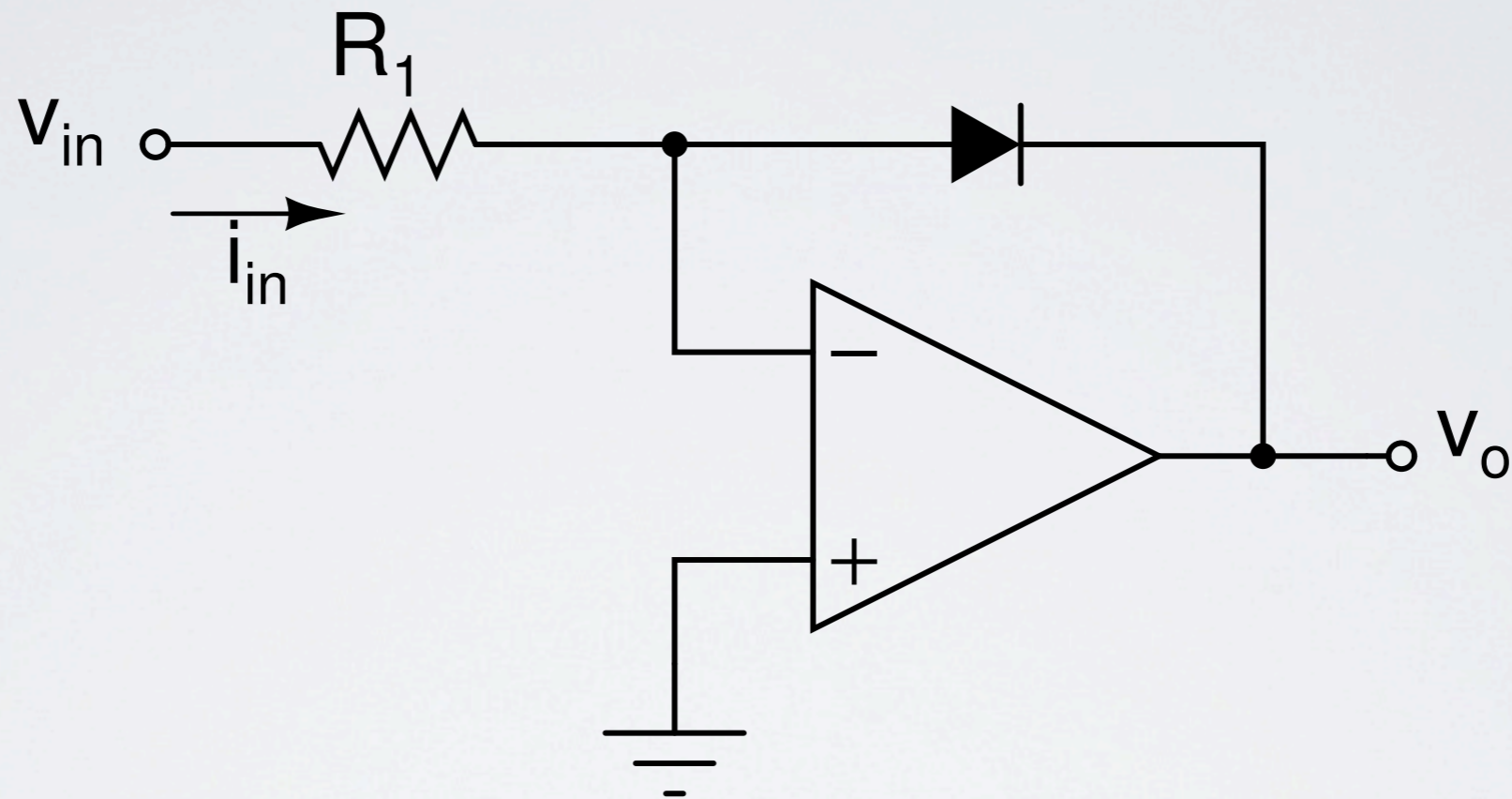


Non-linear Applications

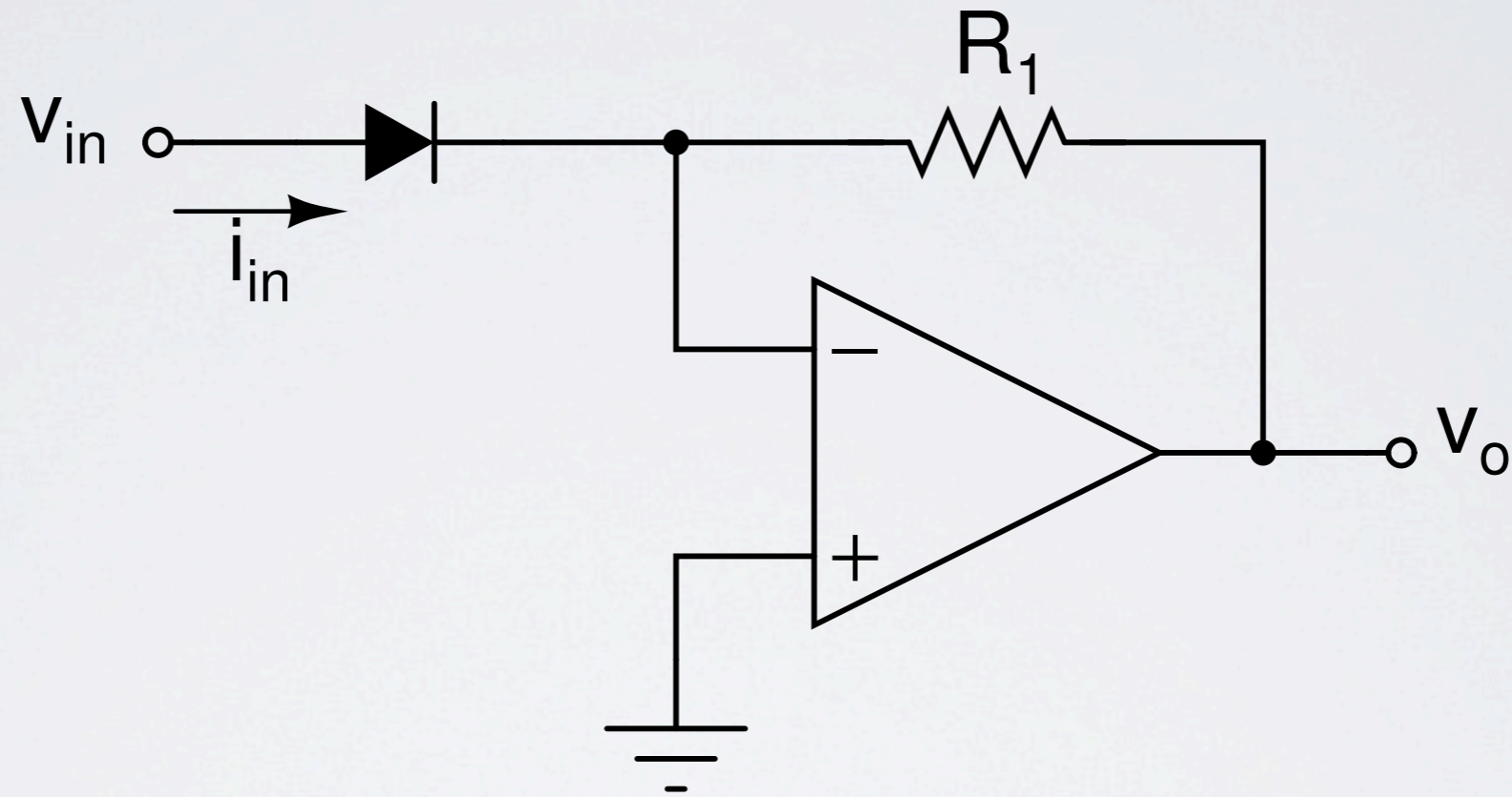
PRECISION RECTIFIER



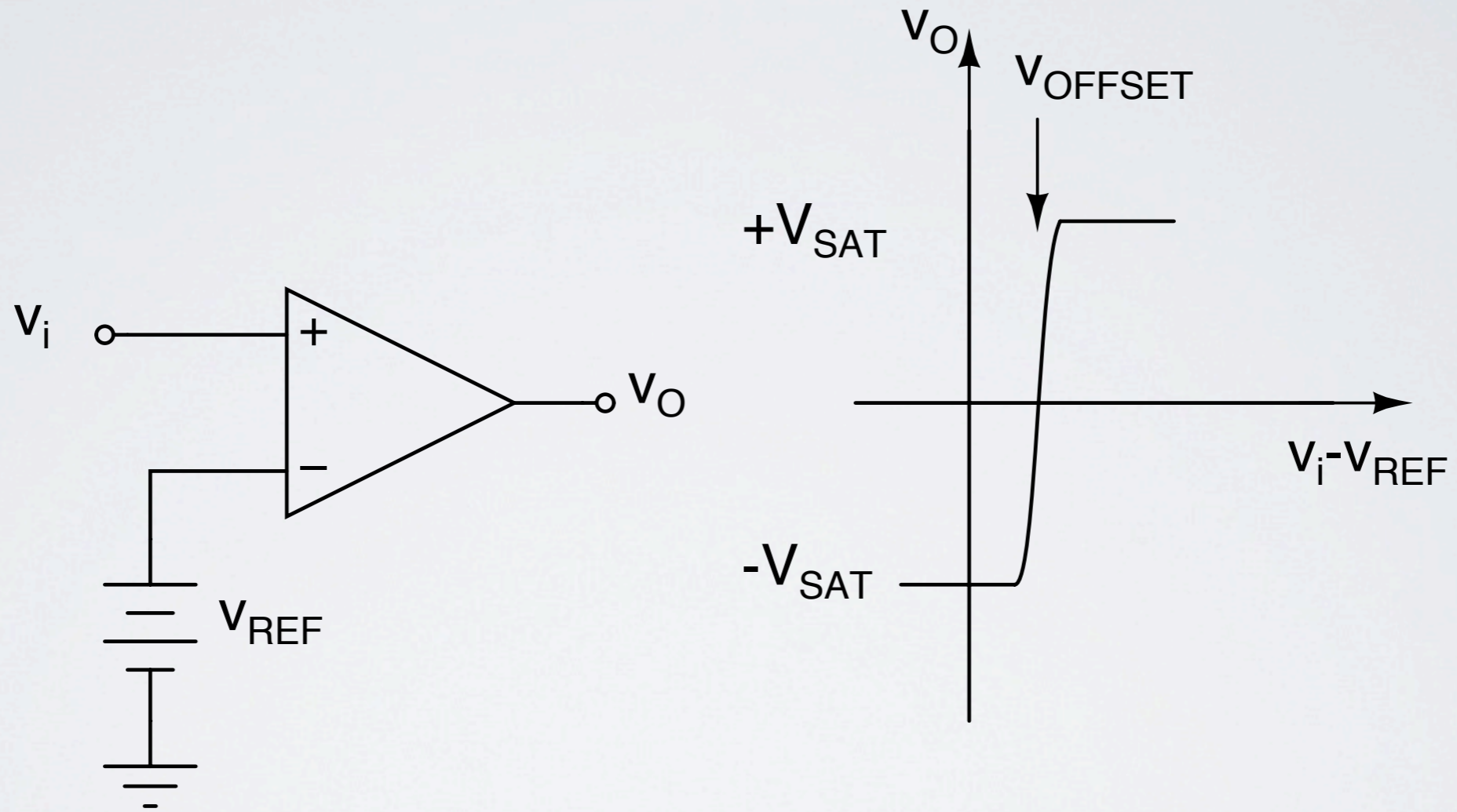
SIMPLE LOG CONVERTER



ANTILOG CONVERTER



COMPARATOR



ZERO-CROSSING DETECTOR

